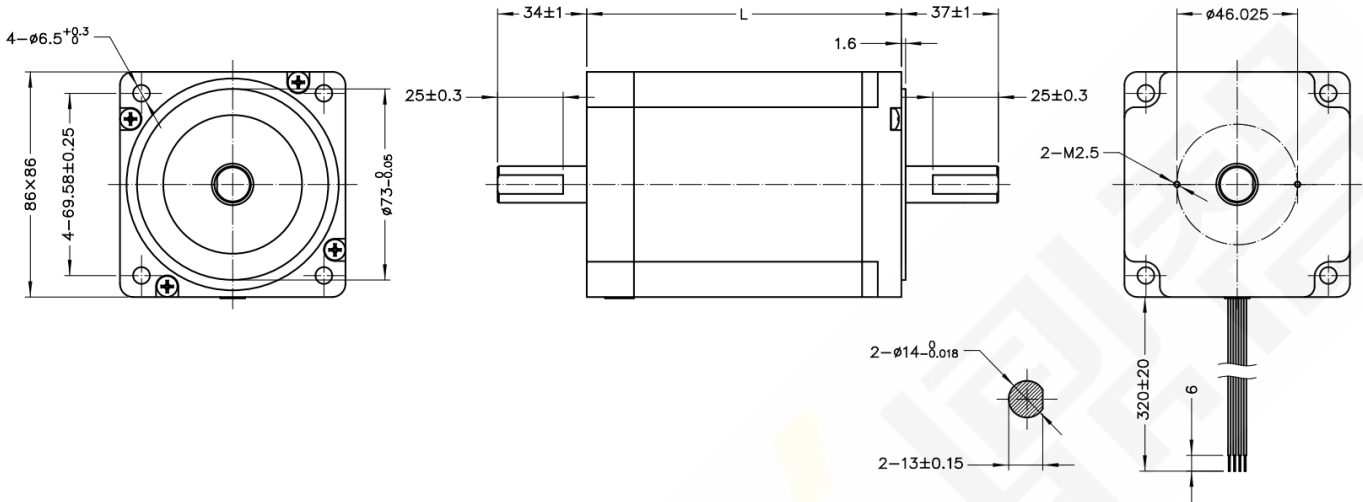


Size 34 · 86 mm Series

Dimensional Drawing



Parameters

| General | | | | | | | |
|-----------------------|-------------|-------------------------|------------------------------|----------------------|------------------------------------|-------------|----------|
| Accuracy | Step angle | | 1.8° $\pm 5\%$ | | | | |
| | Resistance | | $\pm 10\%$ / 20 C | | | | |
| | Inductance | | $\pm 20\%$ / 1KHz | | | | |
| Insulation class | | | B | | | | |
| Duty type | | | S1 | | | | |
| Dielectrical strength | | | 500 VAC / 1 KHz / 1 mA / 1 s | | | | |
| Insulation resistance | | | 100 M Ω / 500 VDC | | | | |
| Parameter | | | | | | | |
| Type | Current (A) | Resistance (Ω) | Inductance (mH) | Holding Torque (N·m) | Rotor Inertia (g·cm ²) | Length (mm) | Mass (g) |
| 34H2060 | 3 | 1 | 6 | 2.6 | 1100 | 60.5 | 1600 |
| 34H2075 | 4.5 | 0.6 | 6 | 4.5 | 1800 | 75 | 2100 |
| 34H2098 | 6 | 0.5 | 5.5 | 7.2 | 2800 | 98 | 2900 |
| Material | | | | | | | |
| End bell | | | Aluminum alloy | | | | |
| Bearing | | | Deep groove ball bearing | | | | |
| Magnet | | | Sintered NdFeB | | | | |
| Shaft | | | Stainless steel | | | | |
| Wiring | | | UL 3265, 18 AWG | | | | |

■ **Torque Performance Curves**

