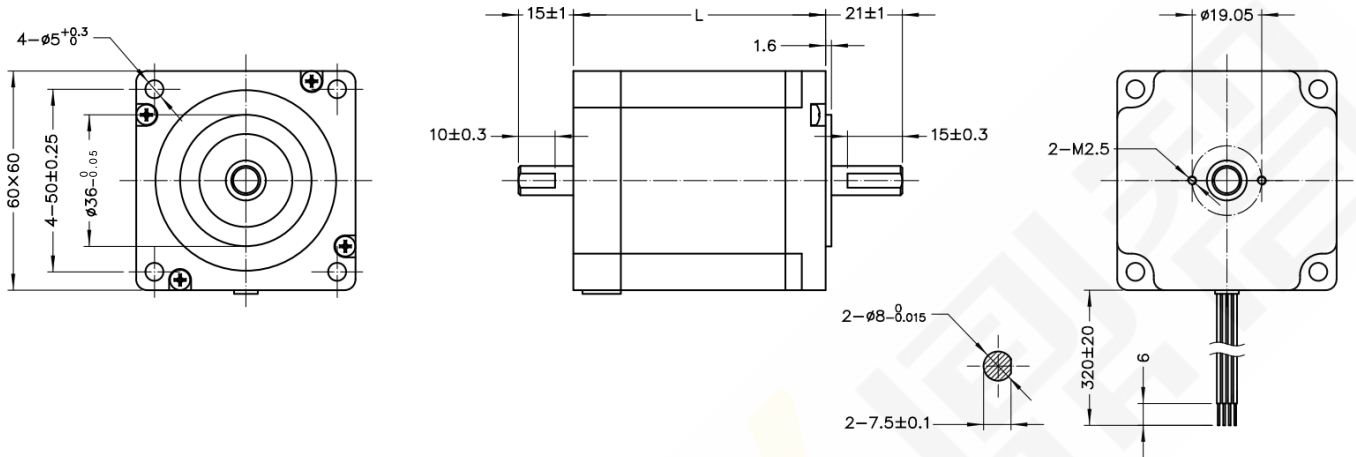


Size 24 · 60 mm Series

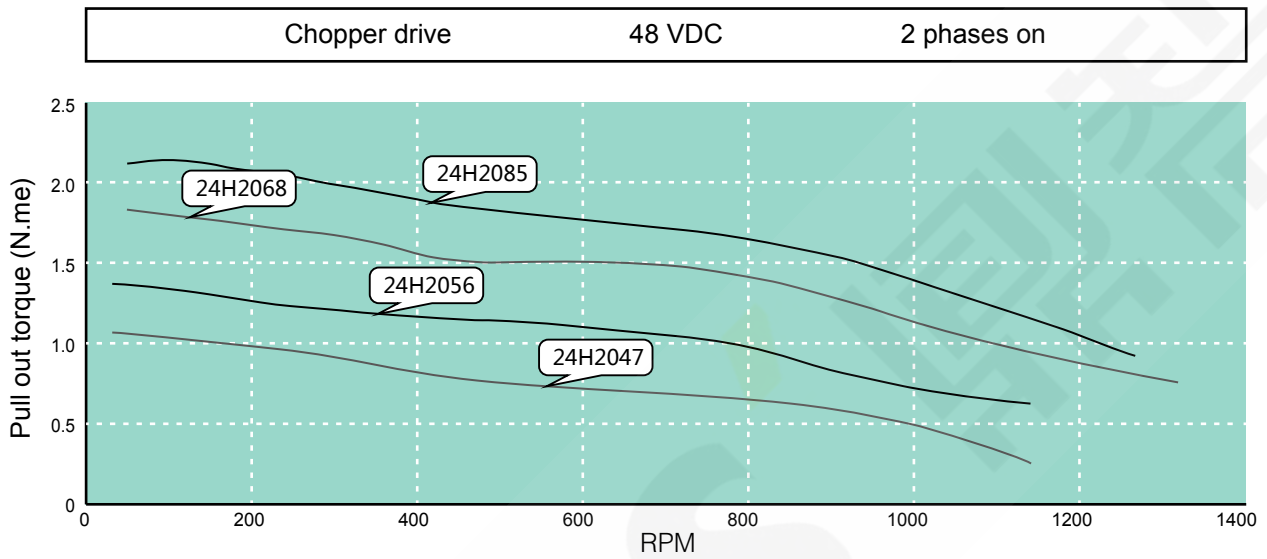
■ Dimensional Drawing



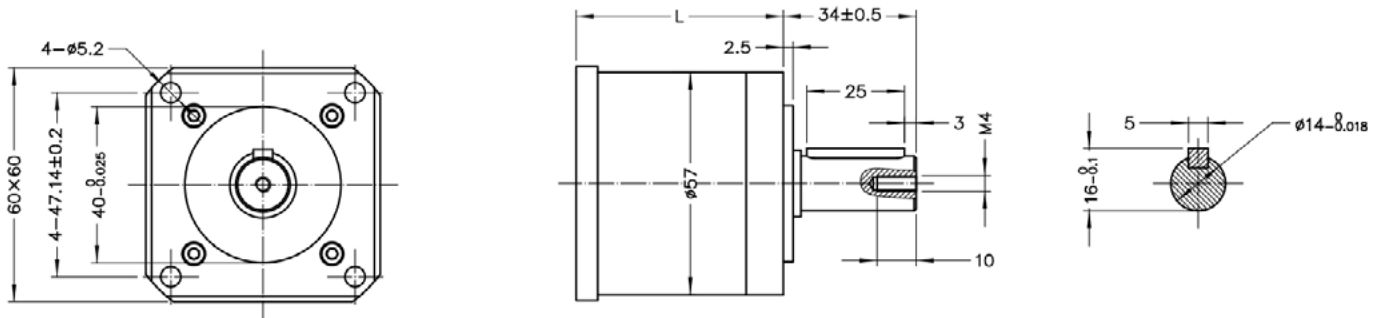
■ Parameters

General							
Accuracy	Step angle		1.8°±5%				
	Resistance		±10% / 20 C				
	Inductance		±20% / 1KHz				
Insulation class			B				
Duty type			S1				
Dielectrical strength			500 VAC / 1 KHz / 1 mA / 1 s				
Insulation resistance			100 MΩ / 500 VDC				
Parameter							
Type	Current (A)	Resistance (Ω)	Inductance (mH)	Holding Torque (N·m)	Rotor Inertia (g·cm ²)	Length (mm)	Mass (g)
24H2047	2	1.5	3.9	0.9	240	47	600
24H2056	3	0.8	3	1.3	340	56	800
24H2068	4	0.6	2.5	2.2	490	68	1000
24H2085	5	0.4	1.8	2.5	690	85	1300
Material							
End bell			Aluminum alloy				
Bearing			Deep groove ball bearing				
Magnet			Sintered NdFeB				
Shaft			Stainless steel				
Wiring			UL 3265, 20 AWG				

■ **Torque Performance Curves**



- 60 mm Frame Planetary Gearbox
- Dimensional Drawing



• **Parameters**

House material			Metal			
No load backlash			One stage 15 arcmin, two stages 25 arcmin			
Bearing			Ball bearing			
Ratio	Rated torque (Kgf-cm)	Limit torque (Kgf-cm)	Stages	Efficiency (%)	Length (mm)	Mass (g)
5	60	120	1	95	53	900
10						
15	250	400	2	90	70	1200
20						
25						