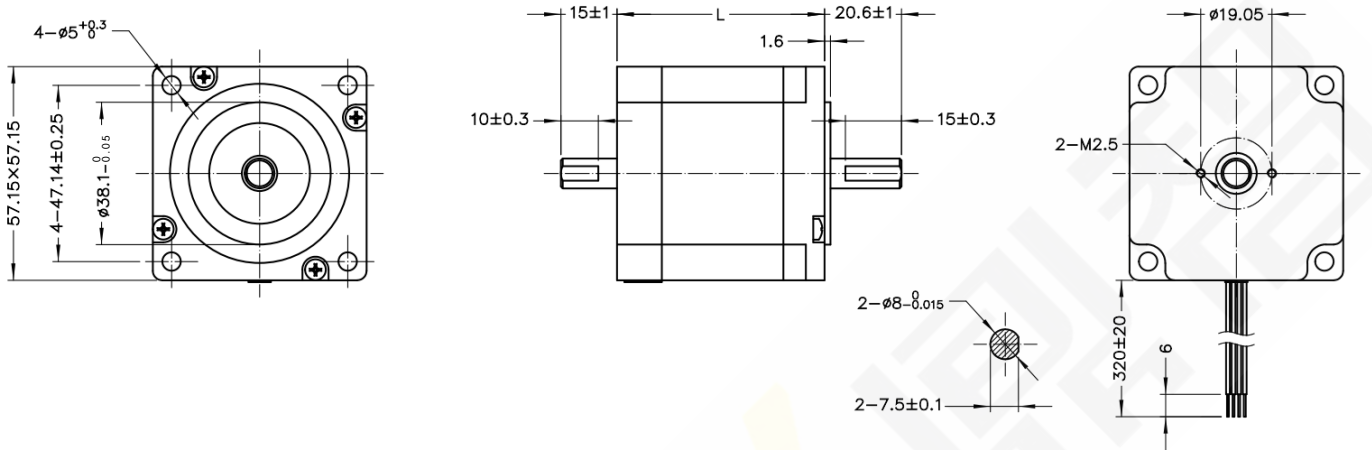


Size 23 - 57 mm Series

Dimensional Drawing



Parameters

General							
Accuracy	Step angle		1.8°±5%				
	Resistance		±10% / 20 C				
	Inductance		±20% / 1KHz				
Insulation class			B				
Duty type			S1				
Dielectrical strength			500 VAC / 1 KHz / 1 mA / 1 s				
Insulation resistance			100 MΩ / 500 VDC				
Parameter							
Type	Current (A)	Resistance (Ω)	Inductance (mH)	Holding Torque (N·m)	Rotor Inertia (g·cm ²)	Length (mm)	Mass (g)
23H2042	1	4.2	11	0.6	140	42.5	460
23H2051	2	1.5	4.4	1	240	51.5	640
23H2065	3	0.9	3.6	1.7	350	65.5	860
23H2076	4	0.6	2.4	2	480	76.5	1060
Material							
End bell			Aluminum alloy				
Bearing			Deep groove ball bearing				
Magnet			Sintered NdFeB				
Shaft			Stainless steel				
Wiring			UL 3265, 22 AWG				

■ **Torque Performance Curves**

