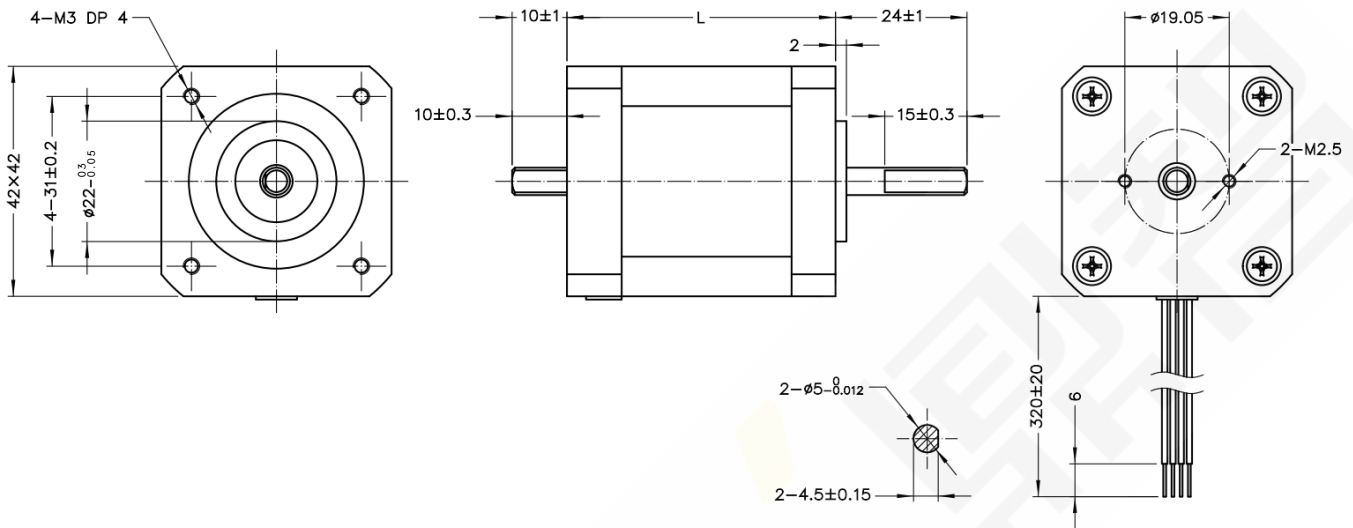


Size 17 · 42 mm Series

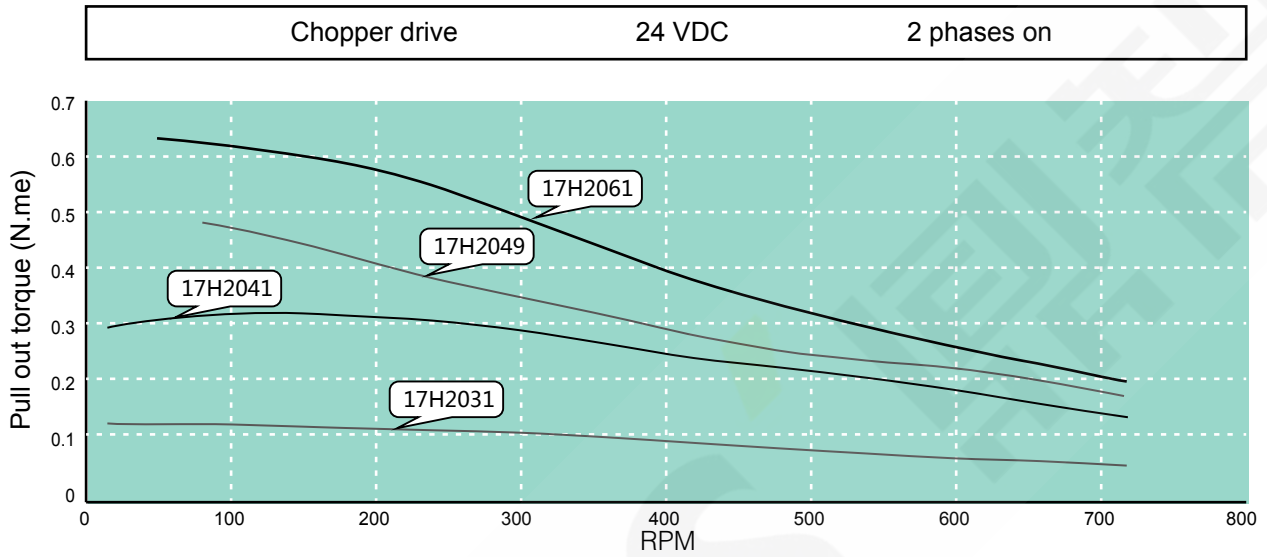
Dimensional Drawing



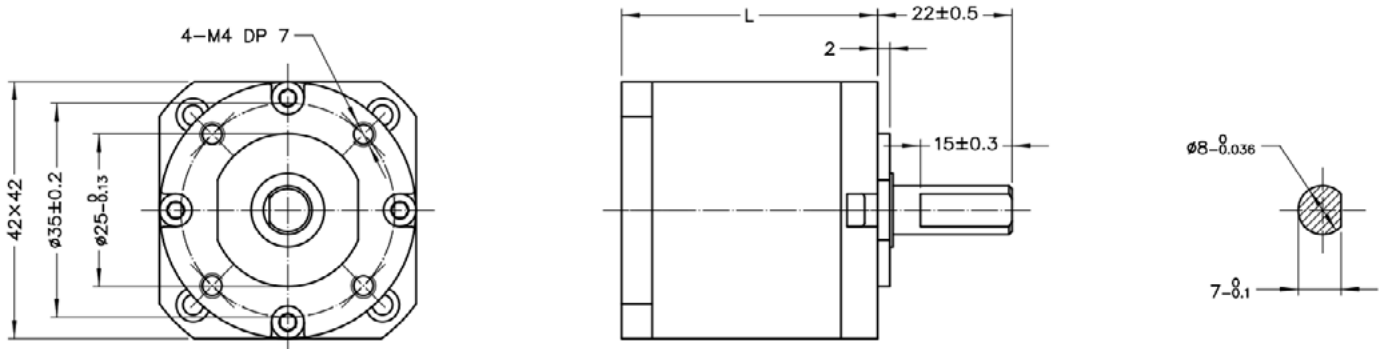
Parameters

General							
Accuracy	Step angle		1.8° ± 5%				
	Resistance		± 10% / 20 C				
	Inductance		± 20% / 1KHz				
Insulation class			B				
Duty type			S1				
Dielectrical strength			500 VAC / 1 KHz / 1 mA / 1 s				
Insulation resistance			100 MΩ / 500 VDC				
Parameter							
Type	Current (A)	Resistance (Ω)	Inductance (mH)	Holding Torque (N·m)	Rotor Inertia (g·cm ²)	Length (mm)	Mass (g)
17H2034	0.5	15	21	0.25	25	34	230
17H2041	1	4	8	0.4	54	41	300
17H2049	1.5	2	3.85	0.48	77	49	360
17H2061	2	1.8	3.7	0.72	110	61	500
Material							
End bell			Aluminum alloy				
Bearing			Deep groove ball bearing				
Magnet			Sintered NdFeB				
Shaft			Stainless steel				
Wiring			UL 3265, 28 AWG				

■ **Torque Performance Curves**



- 42 mm Frame Planetary Gearbox
- Dimensional Drawing



- Parameters

House material			Metal			
No load backlash			1.2°			
Bearing			Ball bearing			
Ratio	Rated torque (Kgf-cm)	Limit torque (Kgf-cm)	Stages	Efficiency (%)	Length (mm)	Mass (g)
3.7	10	30	1	90	30.6	260
5.2						
13.7	20	60	2	81	41.9	350
19.2						
26.9						
50.9	50	150	3	73	53.2	440
71.2						
99.5						