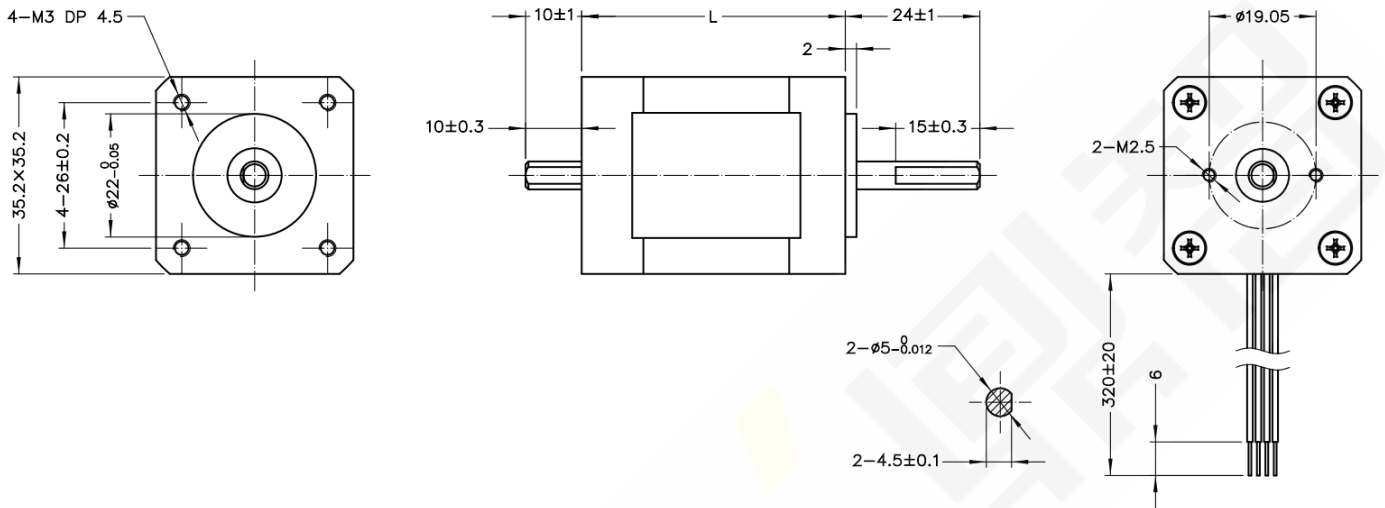


Size 14 · 35 mm Series

■ Dimensional Drawing



■ Parameters

General							
Accuracy	Step angle		1.8°±5%				
	Resistance		±10% / 20 C				
	Inductance		±20% / 1 KHz				
Insulation class			B				
Duty type			S1				
Dielectrical strength			500 VAC / 1 KHz / 1 mA / 1 s				
Insulation resistance			100 MΩ / 500 VDC				
Parameter							
Type	Current (A)	Resistance (Ω)	Inductance (mH)	Holding Torque (N·m)	Rotor Inertia (g·cm ²)	Length (mm)	Mass (g)
14H2027	0.5	20	23	0.15	19	28	100
14H2033	1	4	6	0.18	24	34	140
14H2037	1.5	2	3.2	0.2	28	38	180
Material							
End bell			Aluminum alloy				
Bearing			Deep groove ball bearing				
Magnet			Sintered NdFeB				
Shaft			Stainless steel				
Wiring			UL 3265, 26 AWG				

■ **Torque Performance Curves**

