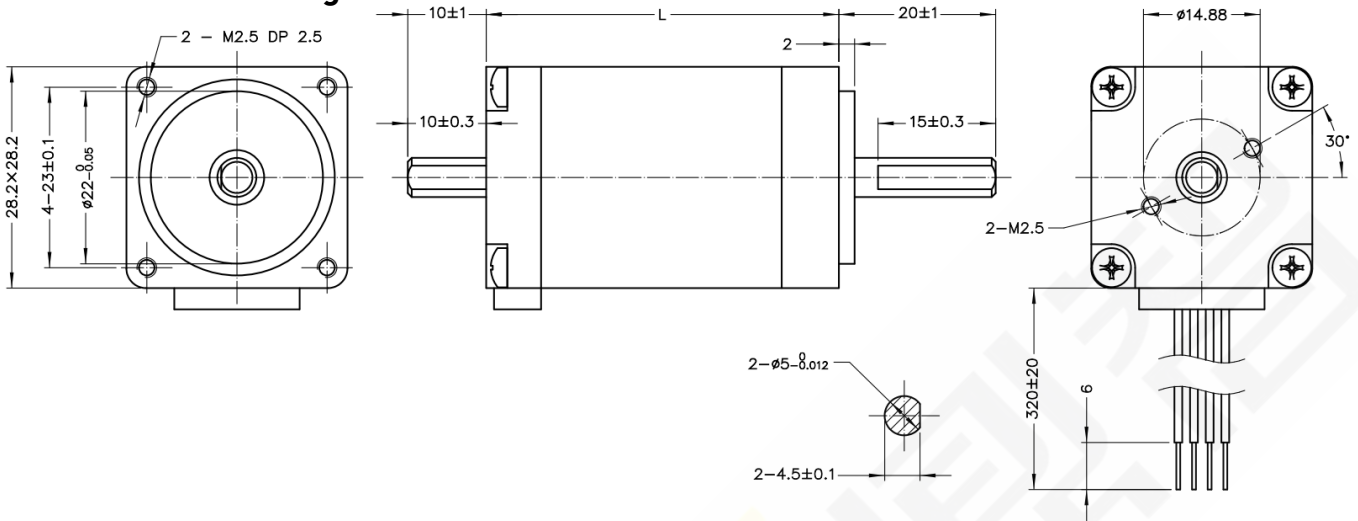


Size 11 - 28 mm Series

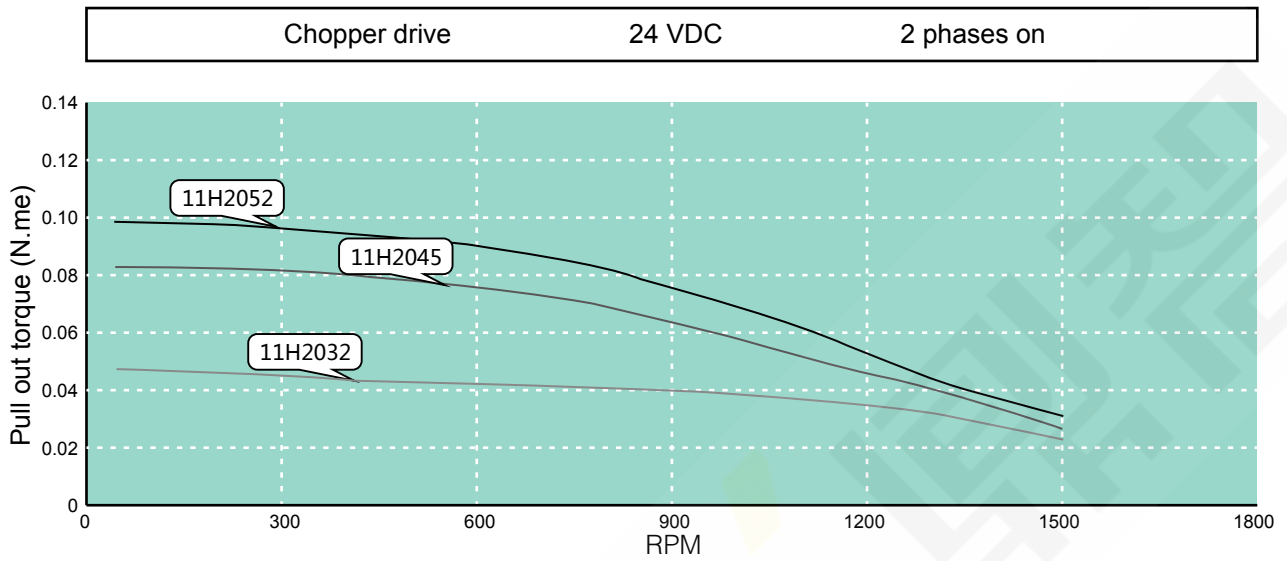
Dimensional Drawing



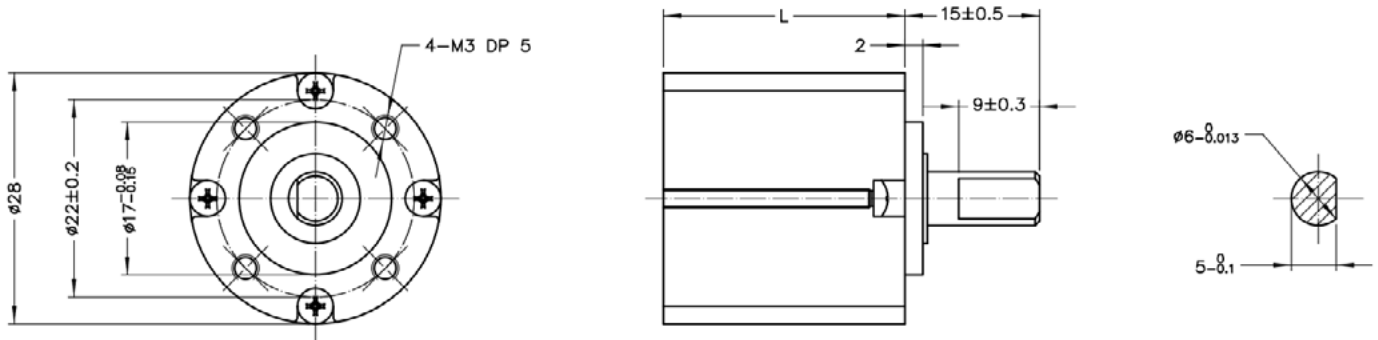
Parameters

General							
Accuracy	Step angle		1.8°±5%				
	Resistance		±10% / 20 C				
	Inductance		±20% / 1 KHz				
Insulation class			B				
Duty type			S1				
Dielectrical strength			500 VAC / 1 KHz / 1 mA / 1 s				
Insulation resistance			100 MΩ / 500 VDC				
Parameter							
Type	Current (A)	Resistance (Ω)	Inductance (mH)	Holding Torque (N·m)	Rotor Inertia (g·cm ²)	Length (mm)	Mass (g)
11H2032	1	2.1	1.2	0.06	9	33.5	110
11H2045	1	4.1	2.7	0.1	13	45	200
11H2052	1	4.7	4.6	0.14	18	52	280
Material							
End bell			Aluminum alloy				
Bearing			Deep groove ball bearing				
Magnet			Sintered NdFeB				
Shaft			Stainless steel				
Wiring			UL 3265, 26 AWG				

Torque Performance Curves



- 28 mm Frame Planetary Gearbox
- Dimensional Drawing



• **Parameters**

House material			Metal			
No load backlash			1°			
Bearing			Ball bearing			
Ratio	Rated torque (Kgf-cm)	Limit torque (Kgf-cm)	Stages	Efficiency (%)	Length (mm)	Mass (g)
3.3	5	15	1	90	21.2	87
4.6						
11.2	10	30	2	81	26.9	91
15.5						
21.5						
37.7	25	75	3	73	32.7	100
72						