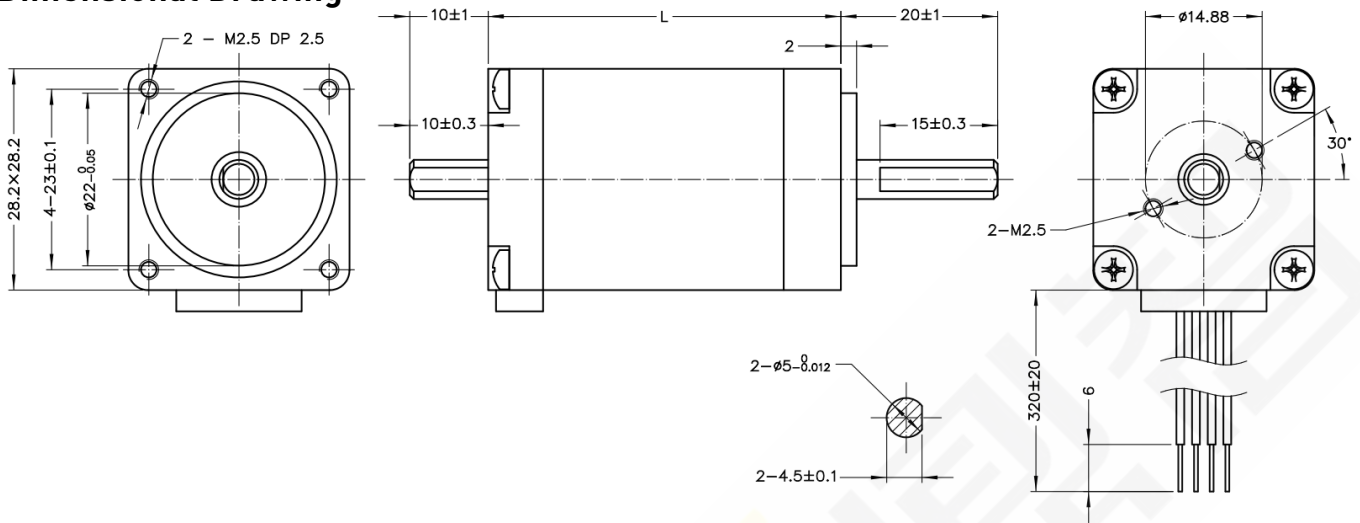


Size 11 - 28 mm Series

Dimensional Drawing



Parameters

General							
Accuracy	Step angle		1.8°±5%				
	Resistance		±10% / 20 C				
	Inductance		±20% / 1 KHz				
Insulation class			B				
Duty type			S1				
Dielectrical strength			500 VAC / 1 KHz / 1 mA / 1 s				
Insulation resistance			100 MΩ / 500 VDC				
Parameter							
Type	Current (A)	Resistance (Ω)	Inductance (mH)	Holding Torque (N·m)	Rotor Inertia (g·cm ²)	Length (mm)	Mass (g)
11H2032	1	2.1	1.2	0.06	9	33.5	110
11H2045	1	4.1	2.7	0.1	13	45	200
11H2052	1	4.7	4.6	0.14	18	52	280
Material							
End bell			Aluminum alloy				
Bearing			Deep groove ball bearing				
Magnet			Sintered NdFeB				
Shaft			Stainless steel				
Wiring			UL 3265, 26 AWG				

Torque Performance Curves

