

Size 24 (60mm) Series

The size 24 hybrid precision linear actuator is with high performance and longer working cycle, which could be applied with high request of force, it is capable of 1050N.



Motor Characteristics

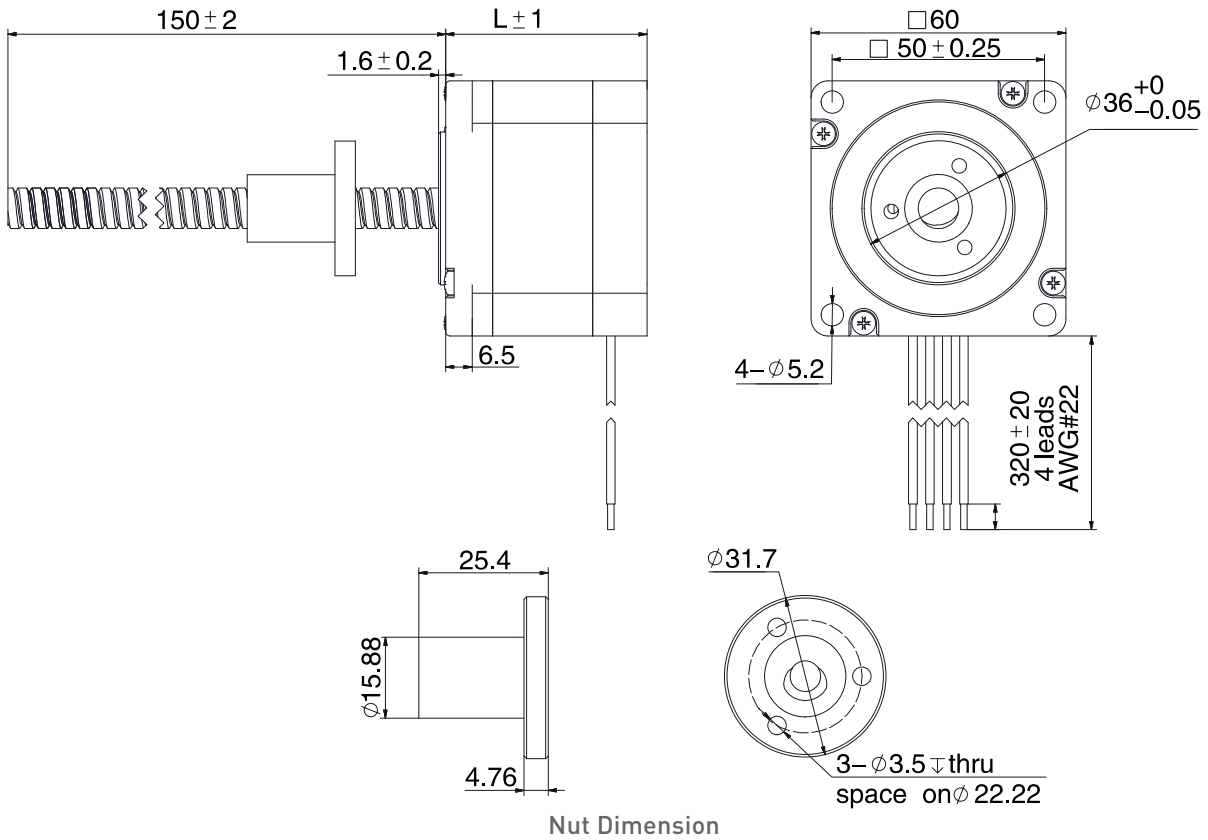
Motor	Voltage (V)	Current (A)	Resistance (Ω)	Inductance (mH)	Weight (g)	Lead Wire No.	Motor Length (mm)
24-2120	3.0	2	1.5	3.9	680	4	47
24-2130	1.8	3	0.6	1.6	680	4	47
24-2140	1.6	4	0.4	0.9	680	4	47
24-2230	3.0	3	1.0	3.4	1080	4	68.3
24-2240	2.4	4	0.6	1.9	1080	4	68.3
24-2250	1.5	5	0.3	1.2	1080	4	68.3

Available Lead Screw and Travel per Step

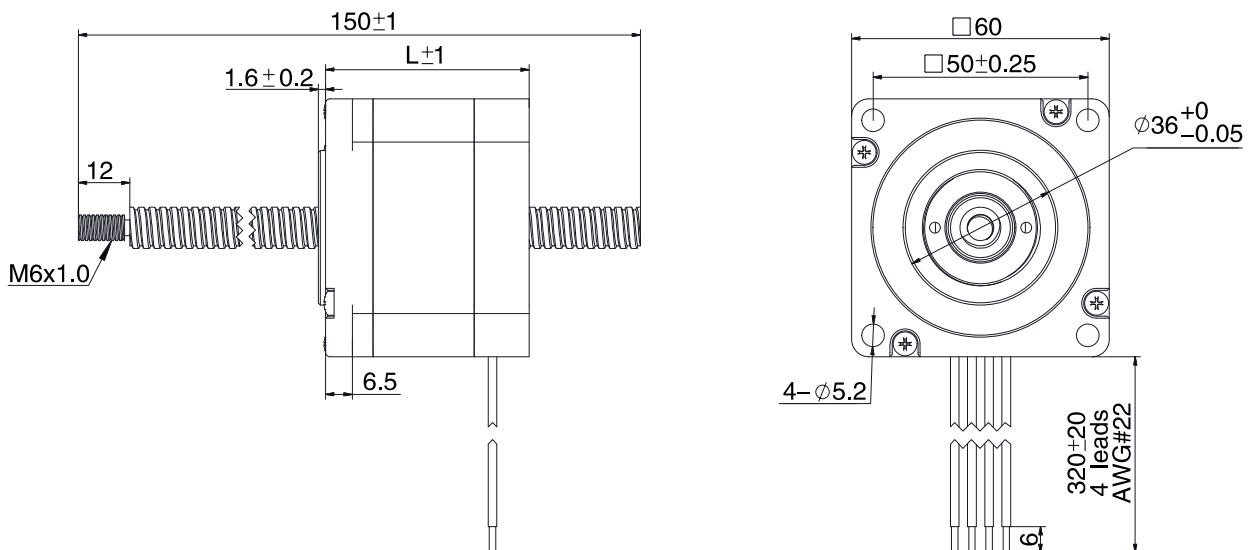
Screw Dia. (inch)	Screw Dia. (mm)	Lead (inch)	Lead (mm)	Lead Code	Travel Per Step @ 1.8 deg (mm)*	Travel Per Step @ 0.9 deg (mm)*
0.315	10.000	0.079	2.0	G	0.01	0.005
0.375	9.525	0.025	0.635	A	0.0032	0.0016
0.375	9.525	0.05	1.27	D	0.0064	0.0032
0.375	9.525	0.0625	1.5875	F	0.0079	0.004
0.375	9.525	0.083	2.1167	H	0.0106	0.0053
0.375	9.525	0.1	2.54	K	0.0127	0.0064
0.375	9.525	0.125	3.175	L	0.0159	0.0079
0.375	9.525	0.167	4.2333	P	0.0212	0.0106
0.375	9.525	0.2	5.08	R	0.0254	0.0127
0.375	9.525	0.25	6.35	S	0.0318	0.0159
0.375	9.525	0.375	9.525	V	0.0476	0.0238
0.375	9.525	0.384	9.7536	W	0.0488	0.0244
0.375	9.525	0.4	10.16	X	0.0508	0.0254
0.375	9.525	0.5	12.7	Y	0.0635	0.0318
0.375	9.525	1.0	25.4	Z	0.127	0.0635

Value truncated

Dimensional Drawings
External Actuator



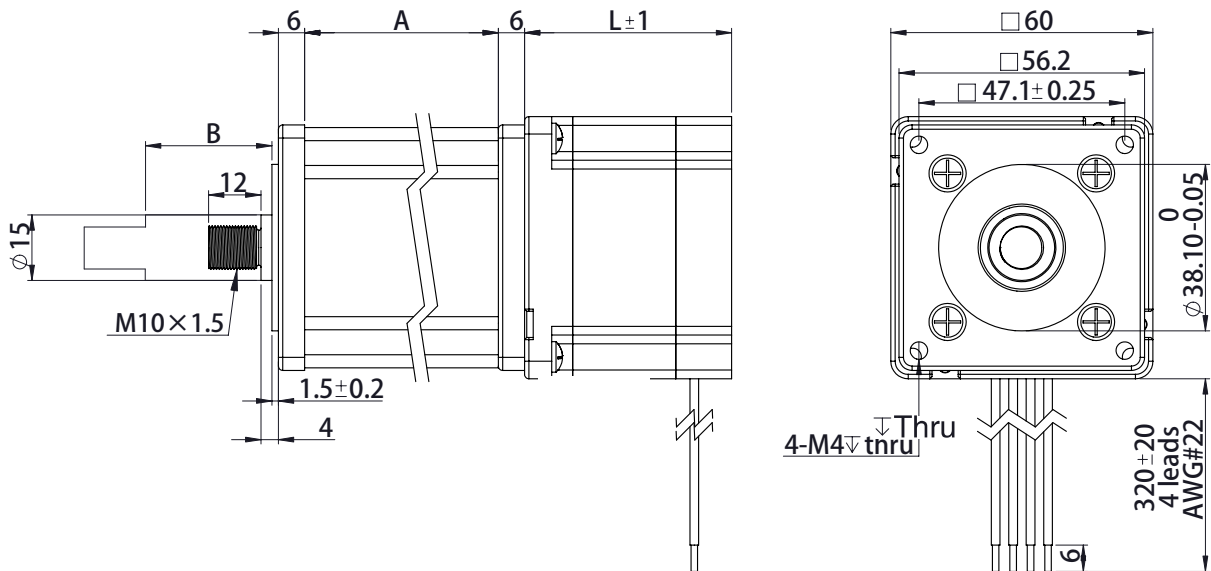
Non-Captive Actuator



NOTE: All drawings are First Angle Projection – ISO Standard. [3D Models are available].

Size 24 (60mm) Series

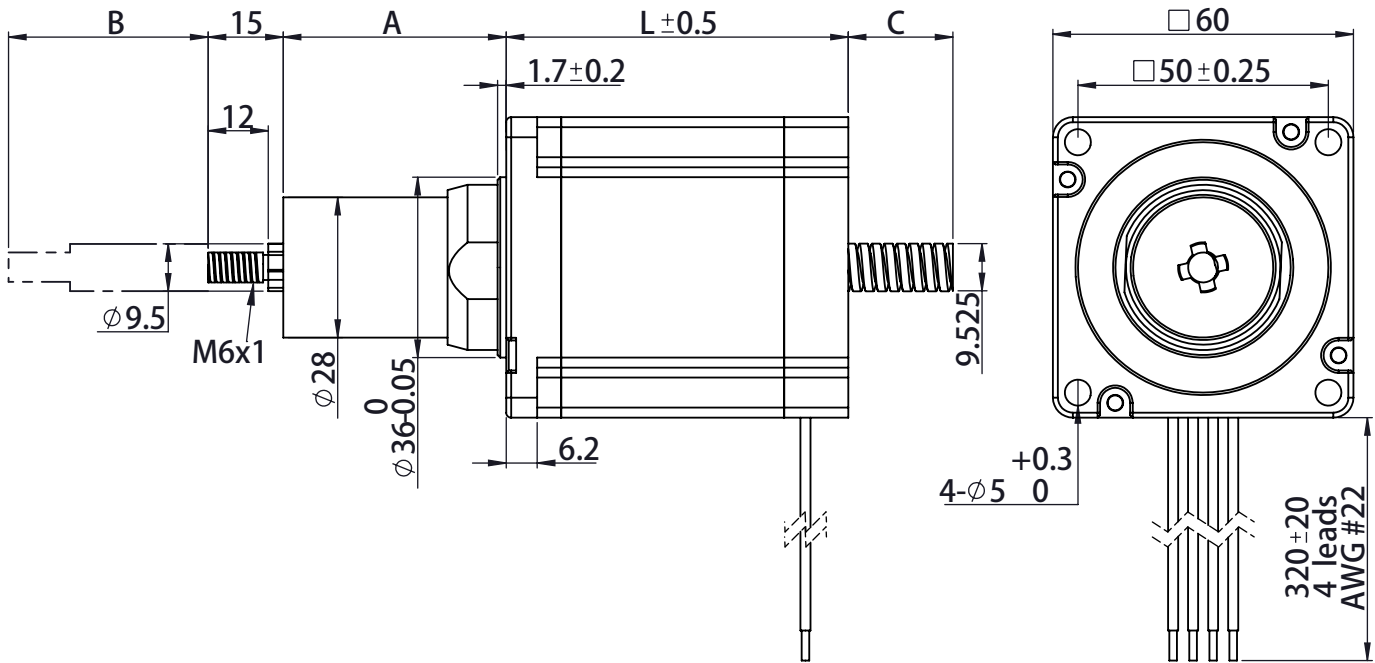
Captive Actuator



● Stroke Specification

Stroke B inch (mm)		A (mm)	L (mm)	
0.50	(12.70)	45.70	Single Stack Motor 47mm	Double Stack Motor 68.3mm
0.75	(19.05)	52.05		
1.00	(25.40)	58.40		
1.25	(31.80)	64.80		
1.50	(38.10)	71.10		
2.00	(50.80)	83.80		
2.50	(63.50)	96.50		

Kaptive Actuator

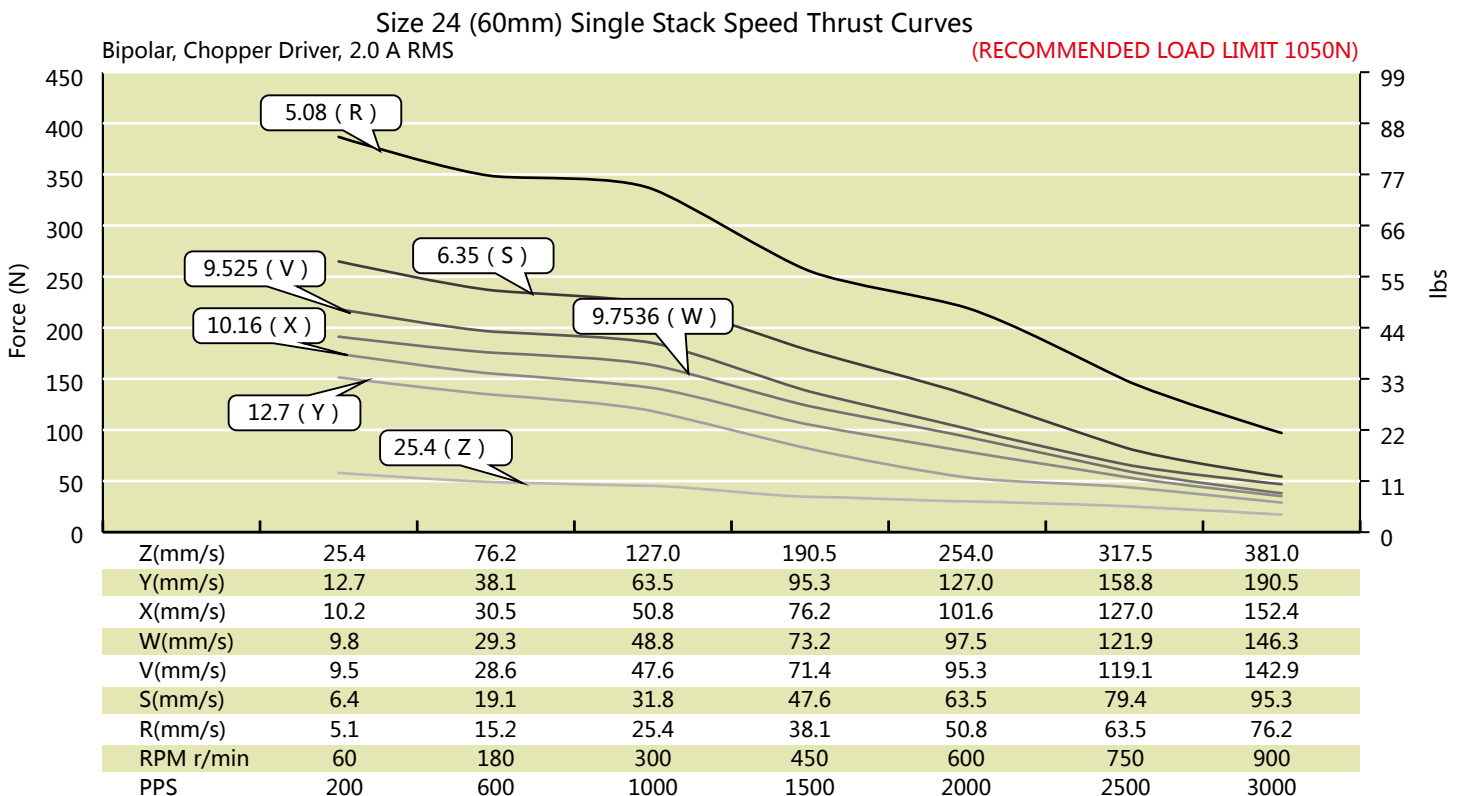
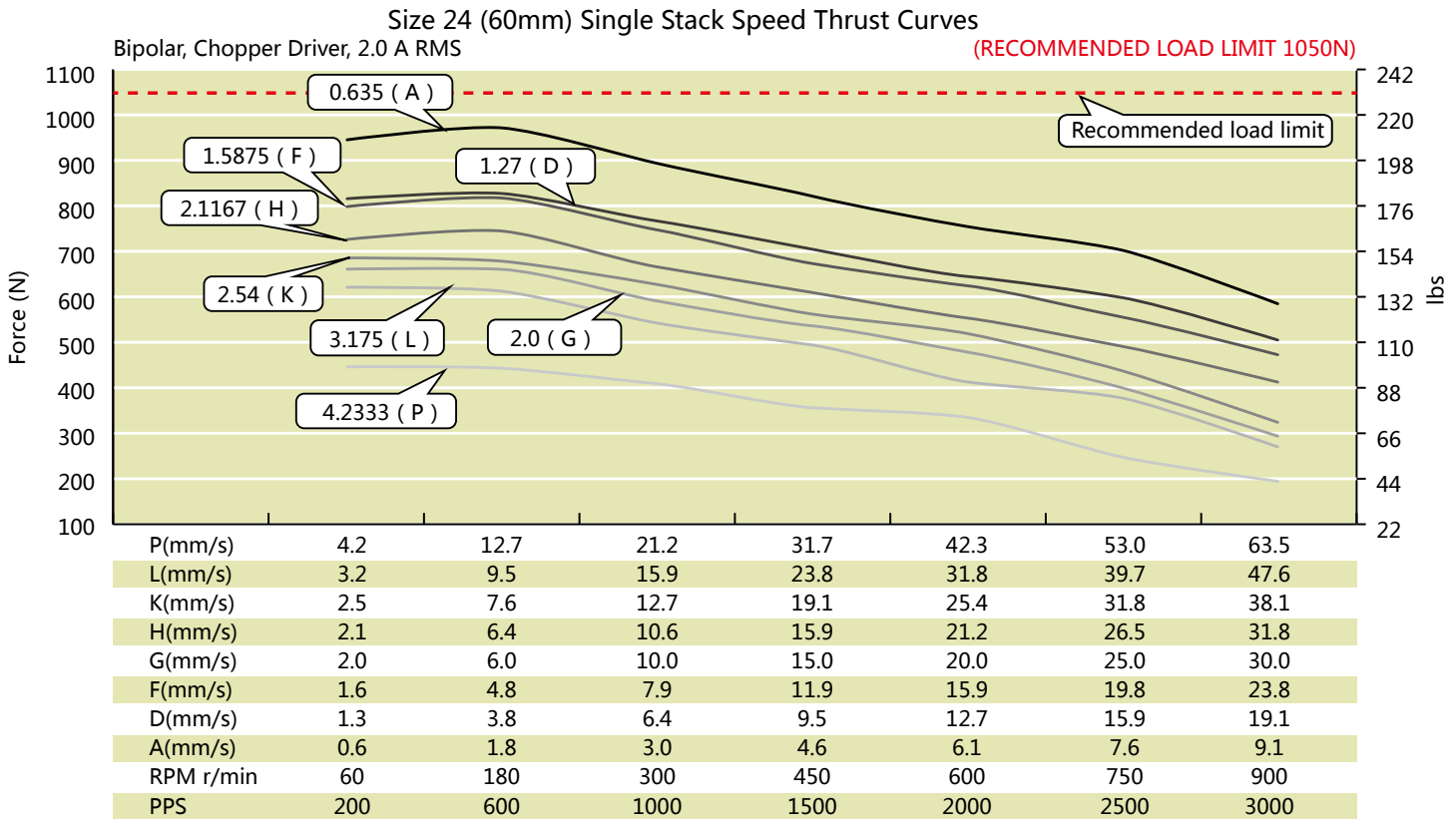


● **Stroke Specification**

Stroke B (mm)	A (mm)	C (mm)	
		L=45 (mm)	L=65 (mm)
0.50 (12.70)	24.20	3.30	0.00
0.75 (19.05)	30.55	9.65	0.00
1.00 (25.40)	36.90	16.00	3.60
1.25 (31.75)	43.25	22.35	10.00
1.50 (38.10)	49.60	28.70	16.30
2.00 (50.80)	62.30	41.40	29.00
2.50 (63.50)	75.00	54.00	42.00

Size 24 (60mm) Series

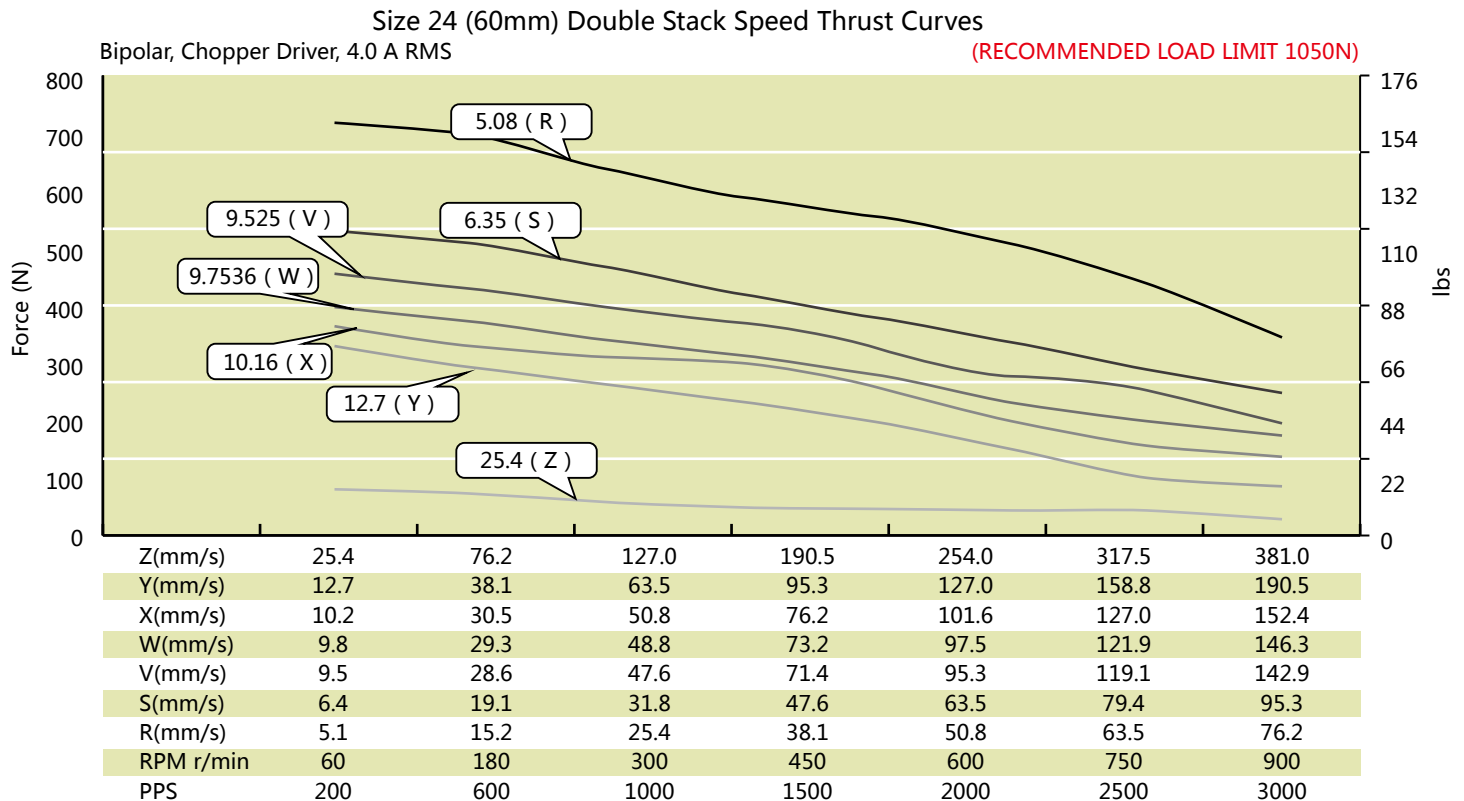
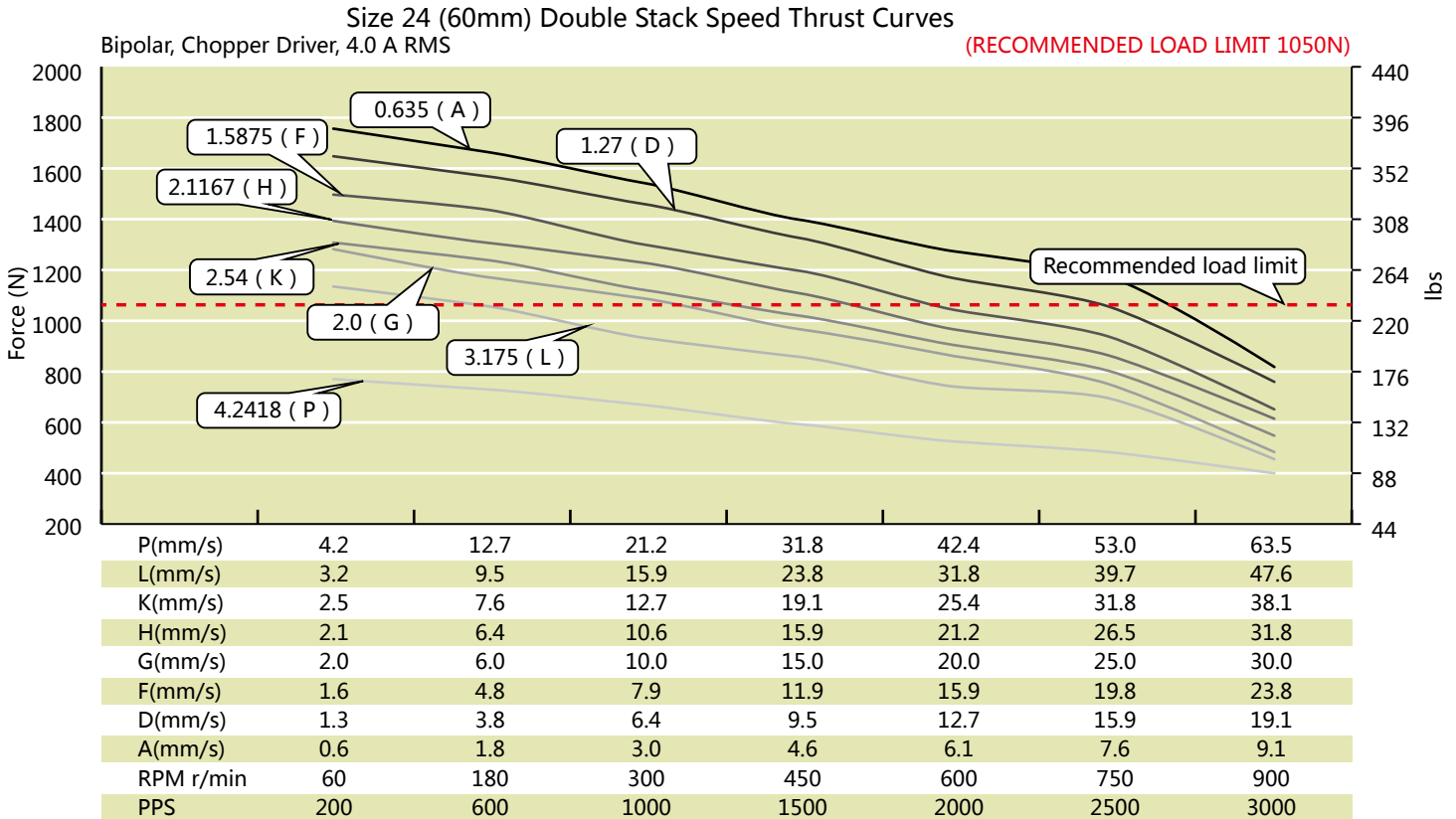
Size 24 (60mm) Performance Curves



TEST CONDITION:

Testing Voltage: 40Vdc, Driver Model: DS-5045-003 bipolar, chopper driver at rated current (rms). Motor's thrust will be changed with different voltage and driver. 50% thrust margin is recommended.

Size 24 (60mm) Series



TEST CONDITION:

Testing Voltage: 40Vdc, Driver Model: DS-5045-003 bipolar, chopper driver at rated current (rms). Motor's thrust will be changed with different voltage and driver. 50% thrust margin is recommended.