

Size 17 (42mm) Series

The size 17 Hybrid precision linear actuator is the mostly used for linear movement applications, provides up to 330N of continuous thrust.



Motor Characteristics

Motor	Voltage (V)	Current (A)	Resistance (Ω)	Inductance (mH)	Weight (g)	Lead Wire No	Motor Length (mm)
17-2105	7.2	0.5	14.4	19.8	254	4	34.1
17-2110	3.6	1.0	3.6	5.0	254	4	34.1
17-2115	2.4	1.5	1.9	2.2	254	4	34.1
17-2205	11.0	0.5	22.0	46.0	386	4	48.1
17-2212	4.5	1.2	3.8	8.0	386	4	48.1
17-2225	2.2	2.5	0.9	1.8	386	4	48.1

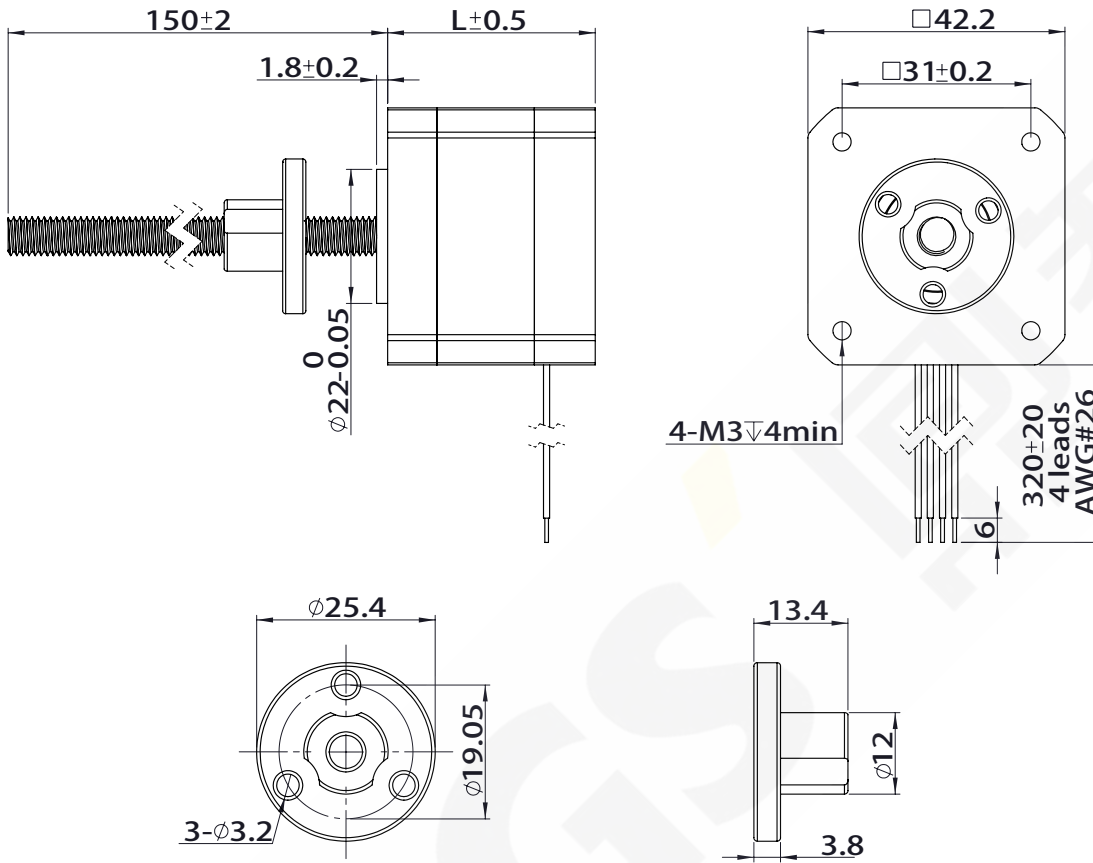
Available Lead Screw and Travel per Step

Screw Dia. (inch)	Screw Dia. (mm)	Lead (inch)	Lead (mm)	Lead Code	Travel Per Step @ 1.8 deg (mm)*	Travel Per Step @ 0.9 deg (mm)*
0.25	6.35	0.024	0.6096	AA	0.0030	0.0015
0.25	6.35	0.039	1.0000	AB	0.0050	0.0025
0.25	6.35	0.048	1.2192	B	0.0060	0.0030
0.25	6.35	0.050	1.2700	D	0.0060	0.0032
0.25	6.35	0.063	1.5875	F	0.0080	0.0040
0.25	6.35	0.096	2.4384	J	0.0120	0.0061
0.25	6.35	0.100	2.5400	K	0.0120	0.0064
0.25	6.35	0.125	3.1750	L	0.0160	0.0079
0.218	5.56	0.192	4.8768	AQ	0.0240	0.0122
0.25	6.35	0.192	4.8768	Q	0.0240	0.0122
0.25	6.35	0.250	6.3500	S	0.0310	0.0159
0.25	6.35	0.333	8.4582	U	0.0420	0.0210
0.25	6.35	0.384	9.7536	W	0.0480	0.0244
0.25	6.35	0.500	12.7000	Y	0.0640	0.0318
0.31	8.00	0.175	4.0000	M	0.0200	0.0100
0.31	8.00	0.315	8.0000	T	0.0400	0.0200

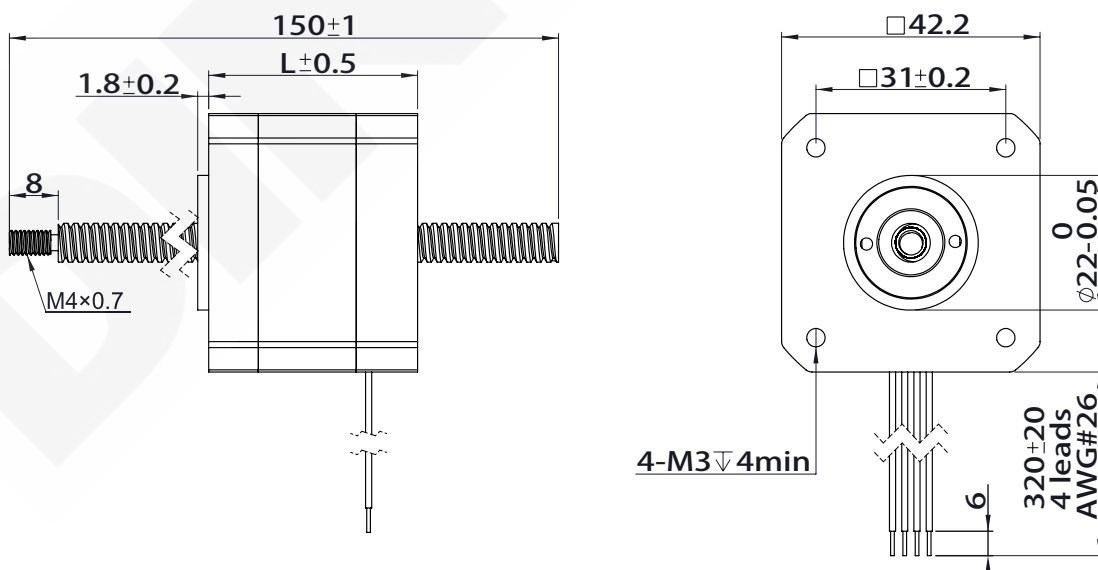
Value truncated

Dimensional Drawings

External Actuator



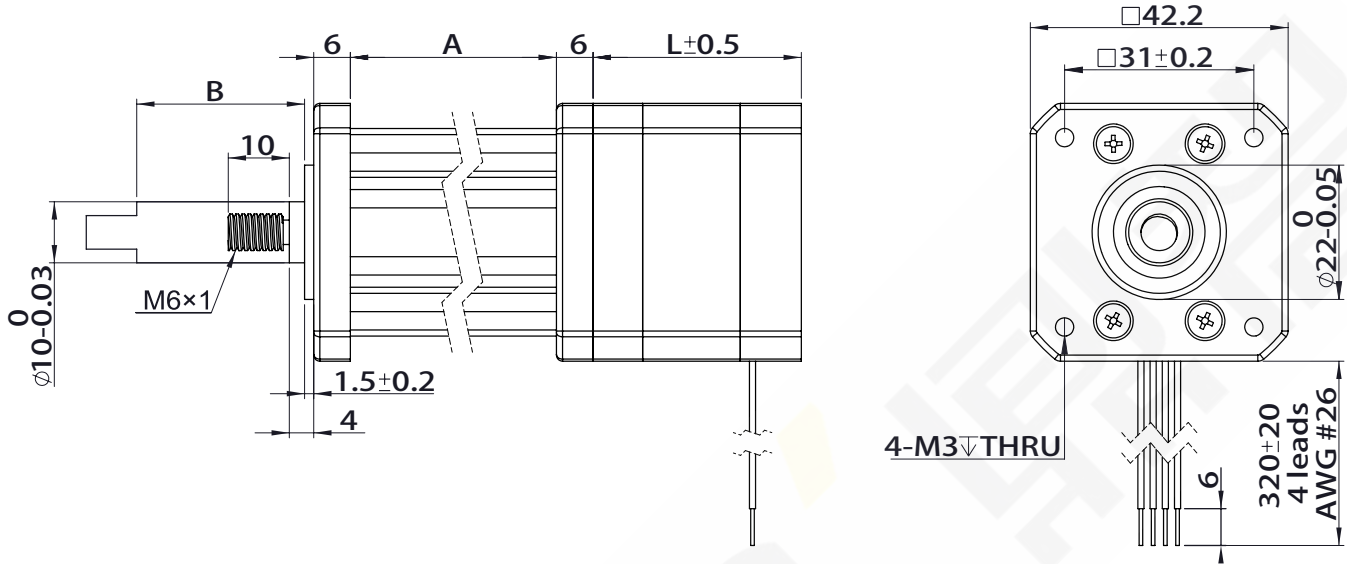
Non-Captive Actuator



NOTE: All drawings are First Angle Projection – ISO Standard. (3D Models are available).

Size 17 (42mm) Series

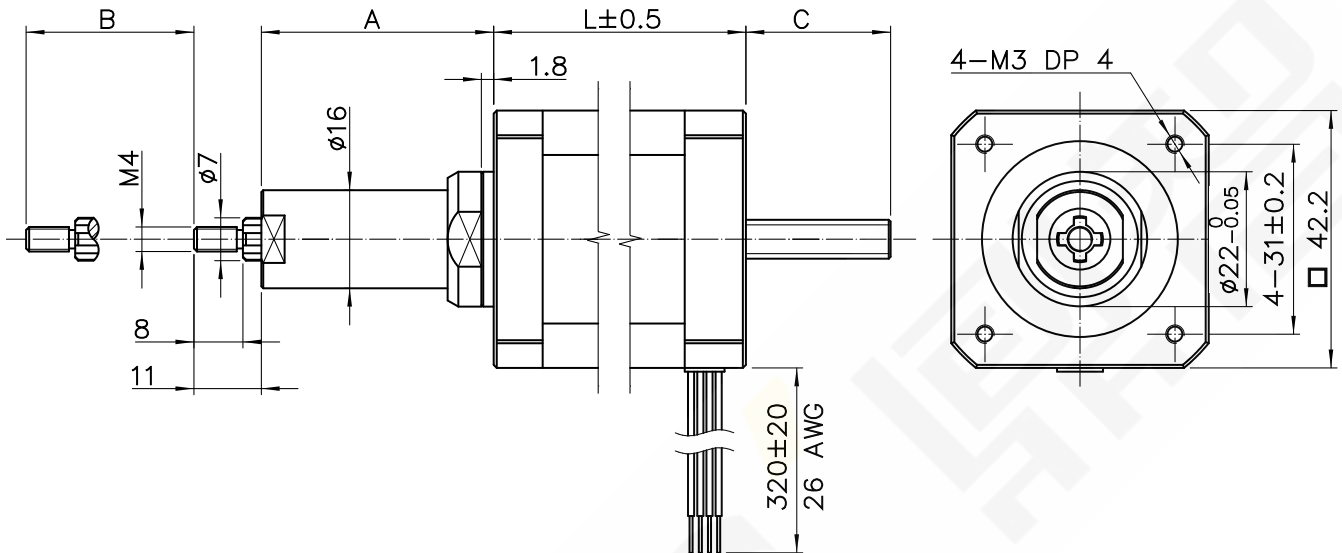
Captive Actuator



● Stroke Specification

Stroke B inch (mm)		A (mm)	L (mm)	
0.50	(12.70)	35.70	Single Stack Motor 34.1mm	Double Stack Motor 48.1mm
0.75	(19.05)	42.05		
1.00	(25.40)	48.40		
1.25	(31.80)	54.80		
1.50	(38.10)	61.10		
2.00	(50.80)	73.80		
2.50	(63.50)	86.50		

Kaptive Actuator



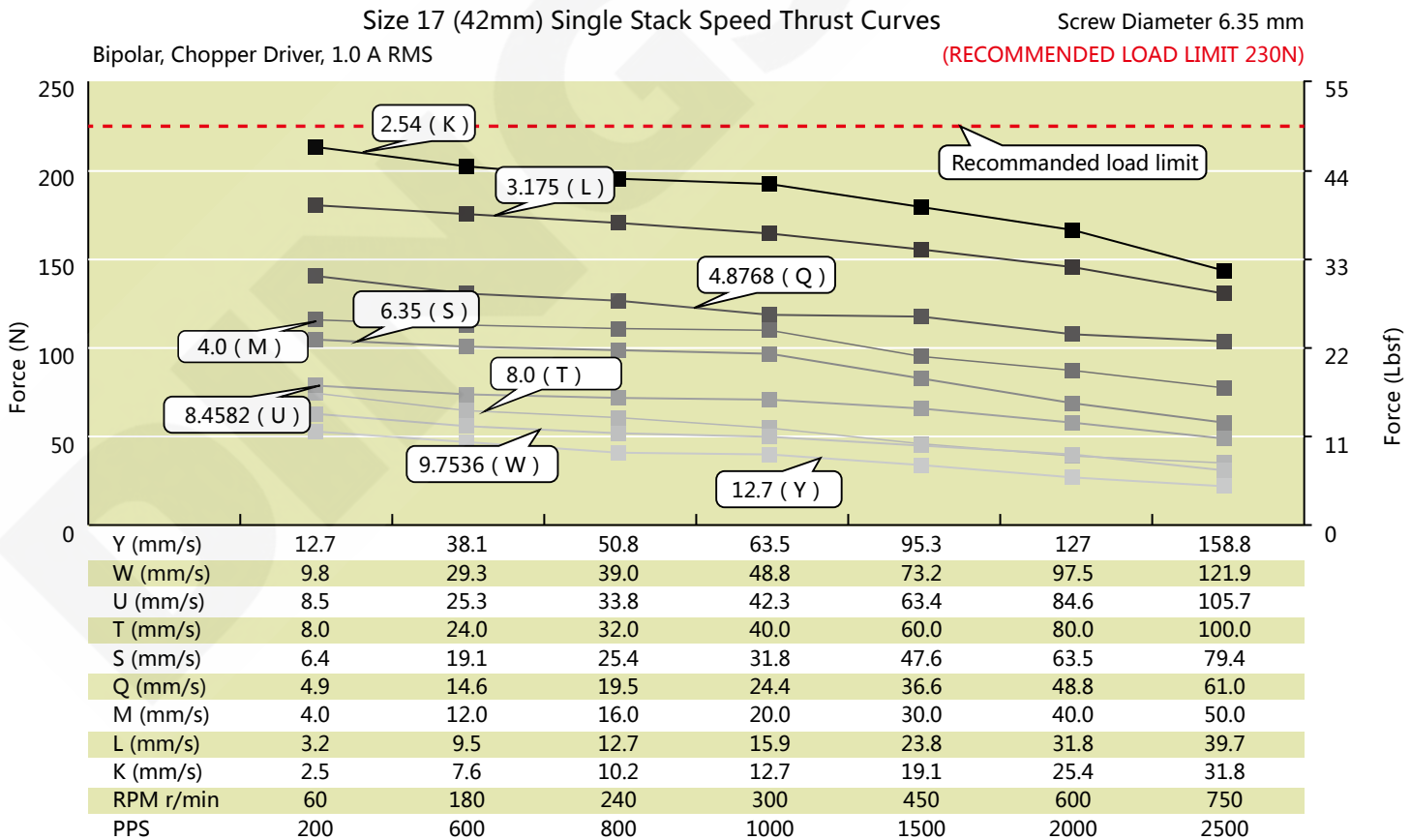
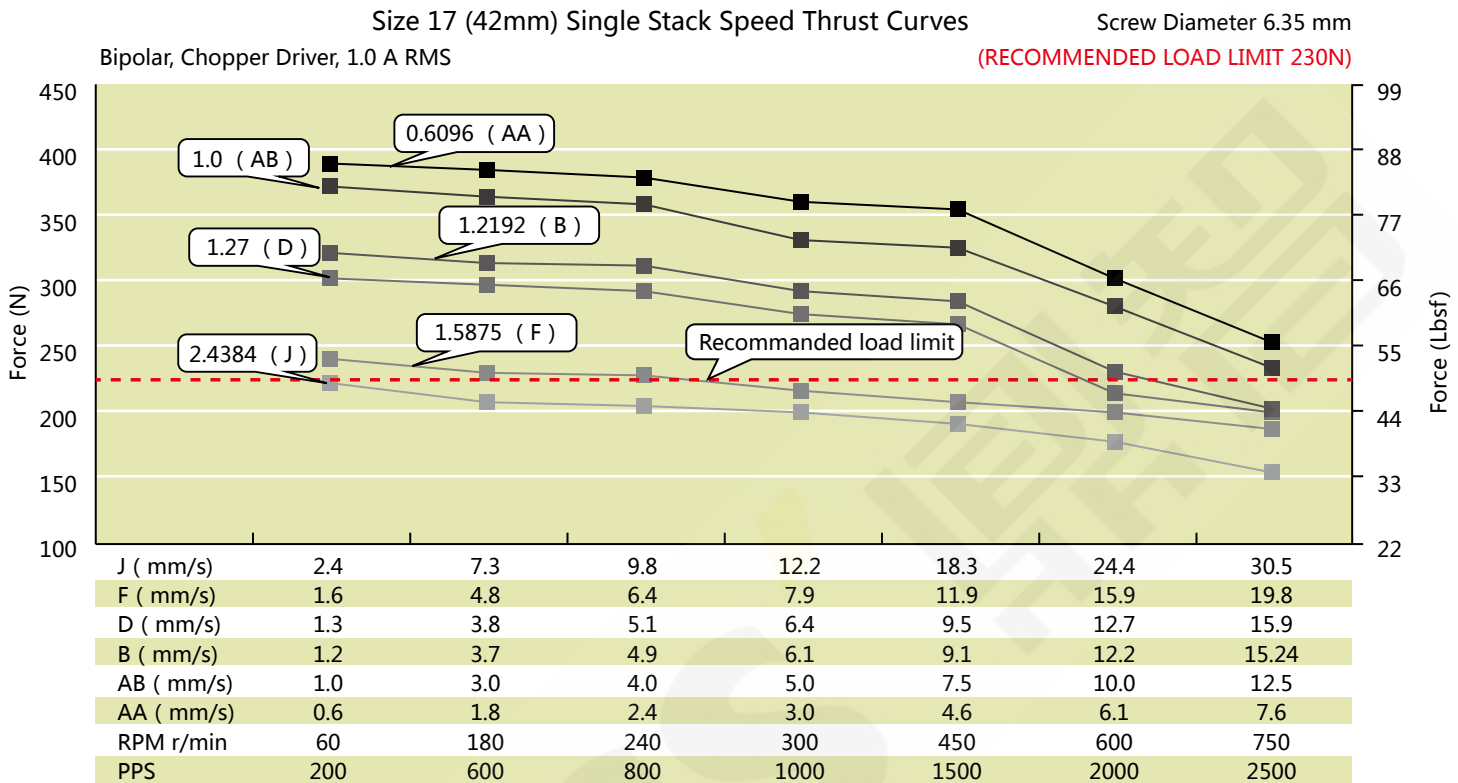
● **Stroke Specification**

Stroke B (mm)	A (mm)	C (mm)	
		L=34.1 (mm)	L=48.1 (mm)
12.70	19.50	5.20	0.00
19.05	25.85	11.55	5.55
25.40	32.20	17.90	11.90
31.75	38.55	24.25	18.25
38.10	44.90	30.60	24.60
50.80	57.60	43.30	37.30
63.50	70.30	56.00	50.00

NOTE: All drawings are First Angle Projection – ISO Standard. (3D Models are available).

Size 17 (42mm) Series

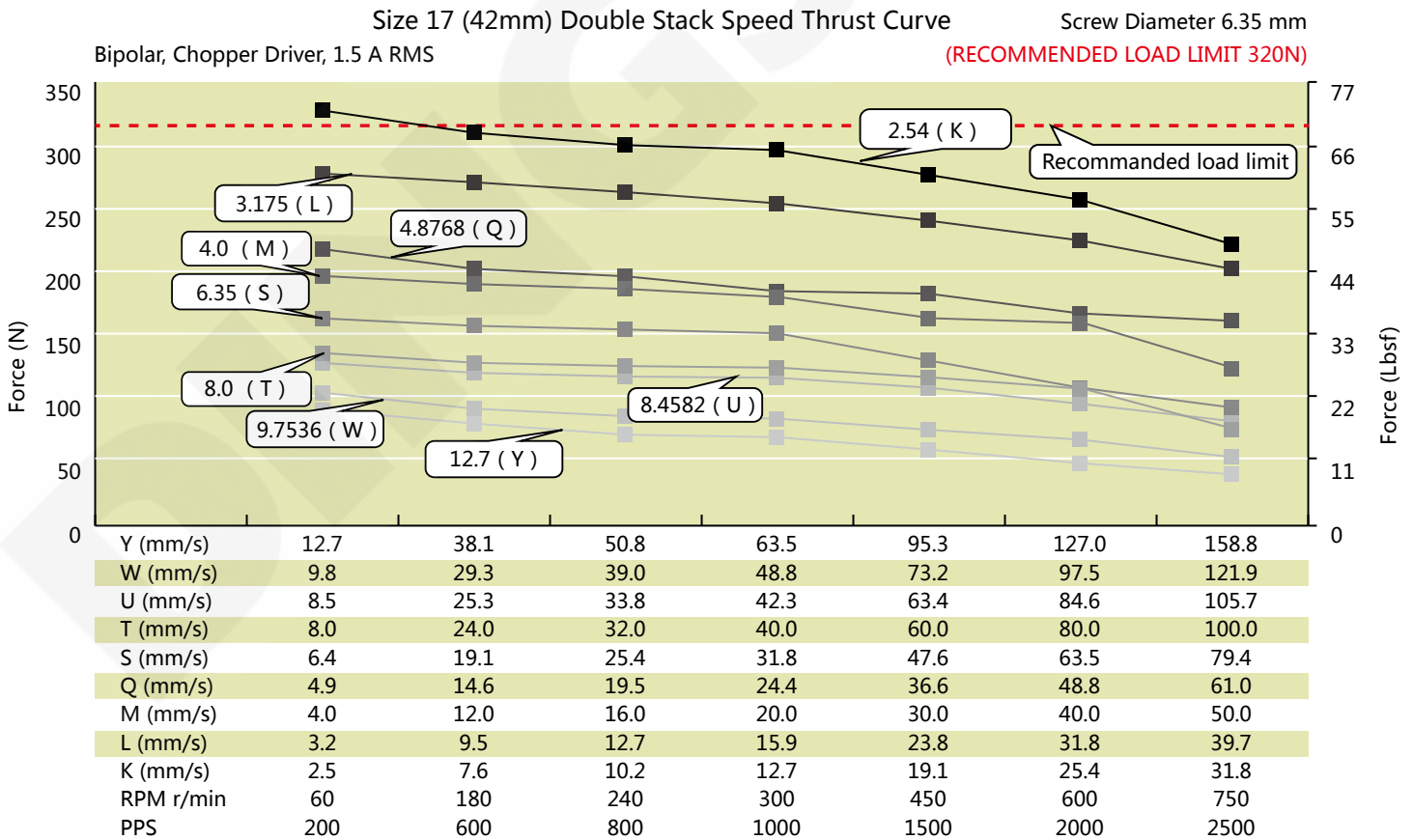
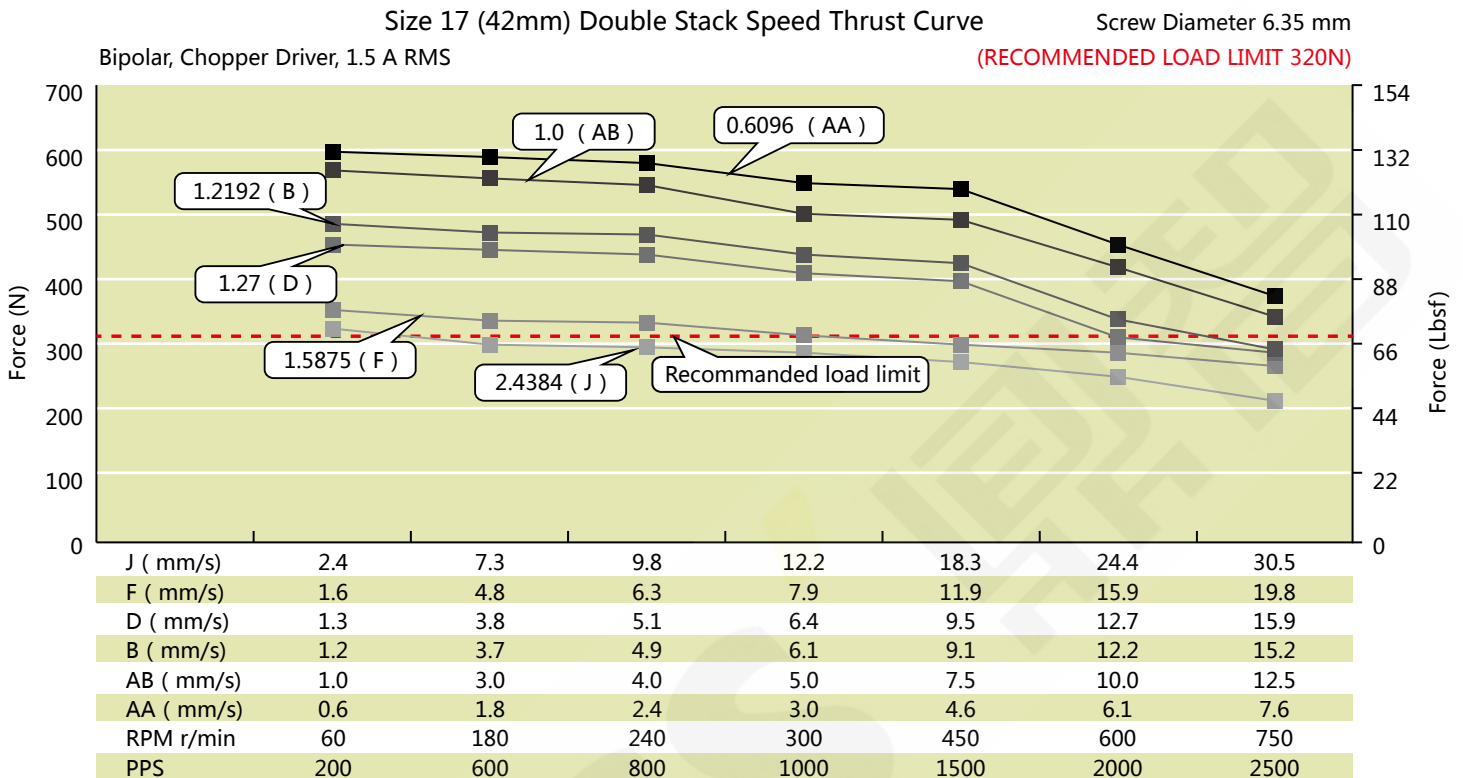
Size 17 (42mm) Performance Curves



TEST CONDITION:

Testing Voltage: 40VDC, Driver Model: DS-2422-001, at rated current (rms). Motor's thrust will be changed with different voltage and driver. 50% thrust margin is recommended.

Size 17 (42mm) Series



TEST CONDITION:

Testing Voltage: 40VDC, Driver Model: DS-2422-001, at rated current (rms). Motor's thrust will be changed with different voltage and driver. 50% thrust margin is recommended.