

## Size 14 (35mm) Series

The size 14 Hybrid precision linear actuator is the mostly used for linear movement applications, provides up to 230N of continuous thrust.



### Motor Characteristics

Motor	Voltage (V)	Current (A)	Resistance ( $\Omega$ )	Inductance (mH)	Weight (g)	Lead Wire No	Motor Length (mm)
14-2105	6.6	0.5	13.2	14.0	189	4	33.6
14-2110	3.3	1.0	3.5	3.6	189	4	33.6
14-2115	2.2	1.5	1.8	1.9	189	4	33.6
14-2205	12.0	0.5	24.0	29.0	210	4	45.6
14-2210	6.0	1.0	6.0	7.2	210	4	45.6
14-2215	4.0	1.5	2.7	3.2	210	4	45.6

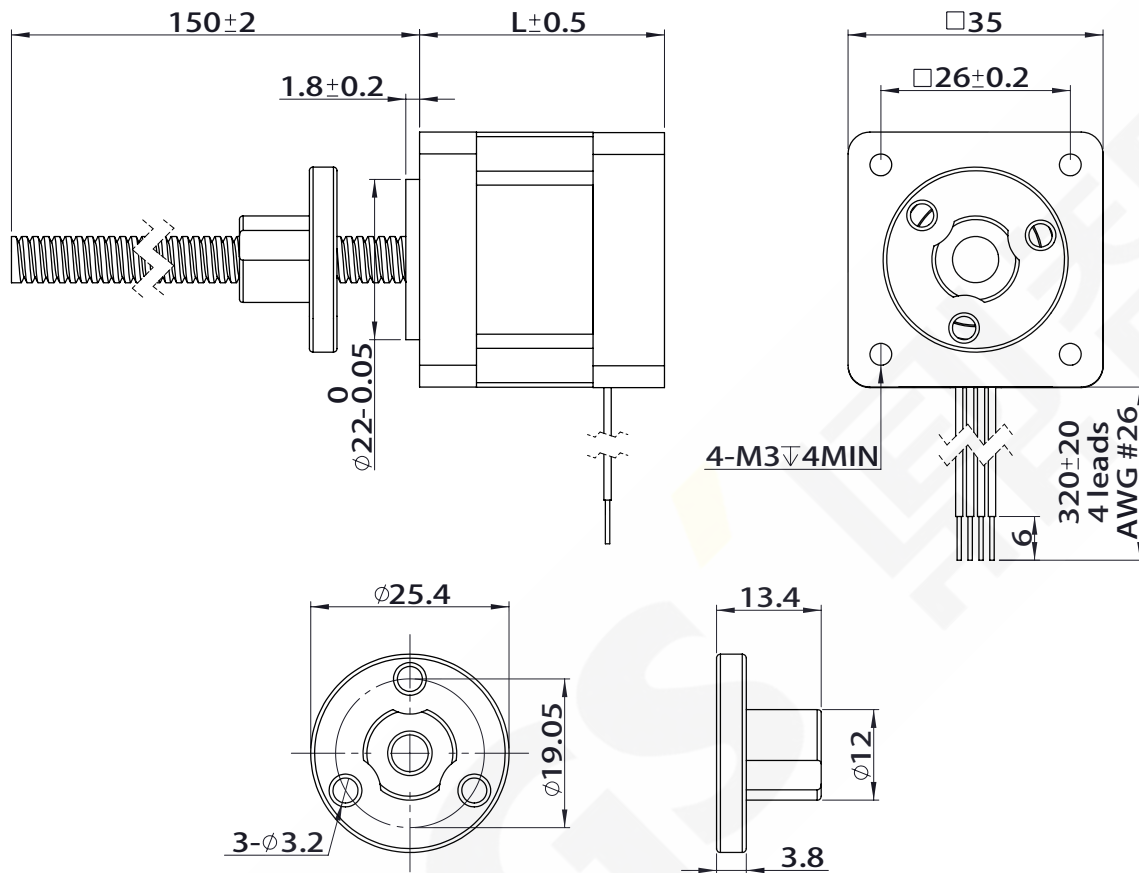
### Available Lead Screw and Travel per Step

Screw Dia. (inch)	Screw Dia. (mm)	Lead (inch)	Lead (mm)	Lead Code	Travel Per Step @ 1.8 deg (mm)*	Travel Per Step @ 0.9 deg (mm)*
0.25	6.35	0.024	0.6096	AA	0.0030	0.0015
0.25	6.35	0.039	1.0000	AB	0.0050	0.0025
0.25	6.35	0.048	1.2192	B	0.0060	0.0030
0.25	6.35	0.050	1.2700	D	0.0060	0.0032
0.25	6.35	0.063	1.5875	F	0.0080	0.0040
0.25	6.35	0.096	2.4384	J	0.0120	0.0061
0.25	6.35	0.100	2.5400	K	0.0130	0.0064
0.25	6.35	0.125	3.1750	L	0.0160	0.0079
0.218	5.56	0.192	4.8768	AQ	0.0240	0.0122
0.25	6.35	0.192	4.8768	Q	0.0240	0.0122
0.25	6.35	0.250	6.3500	S	0.0320	0.0159
0.25	6.35	0.333	8.4582	U	0.0420	0.0210
0.25	6.35	0.384	9.7536	W	0.0490	0.0244
0.25	6.35	0.500	12.7000	Y	0.0640	0.0318

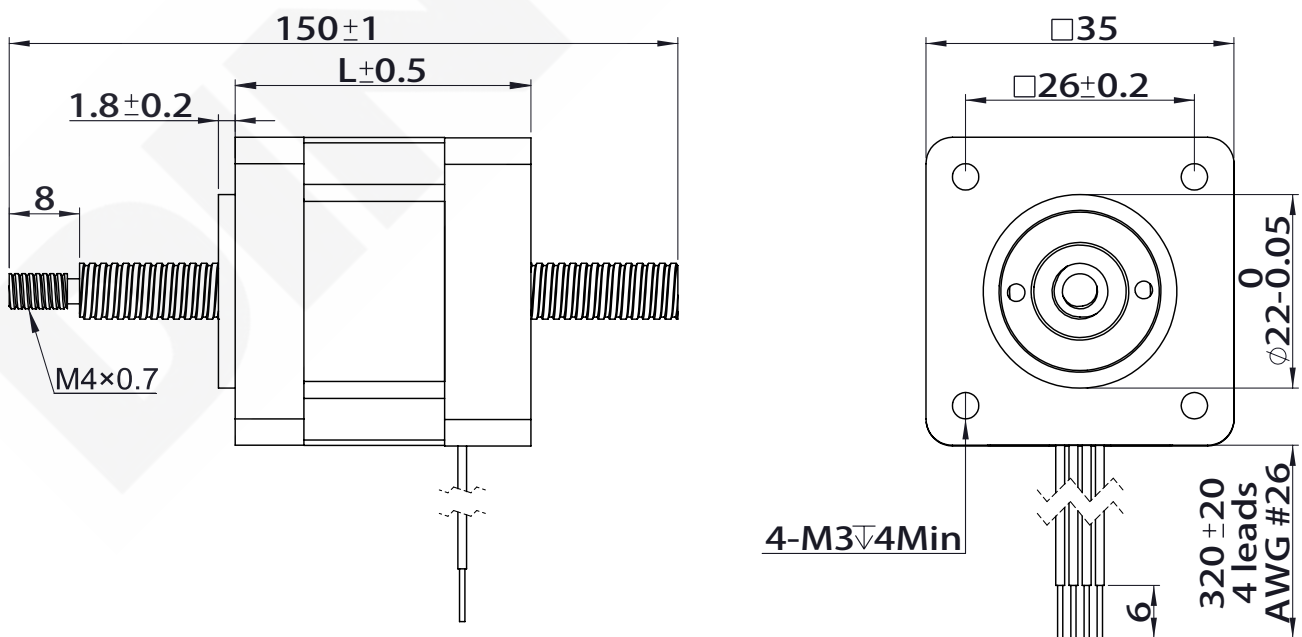
Value truncated

**Dimensional Drawings**

**External Actuator**



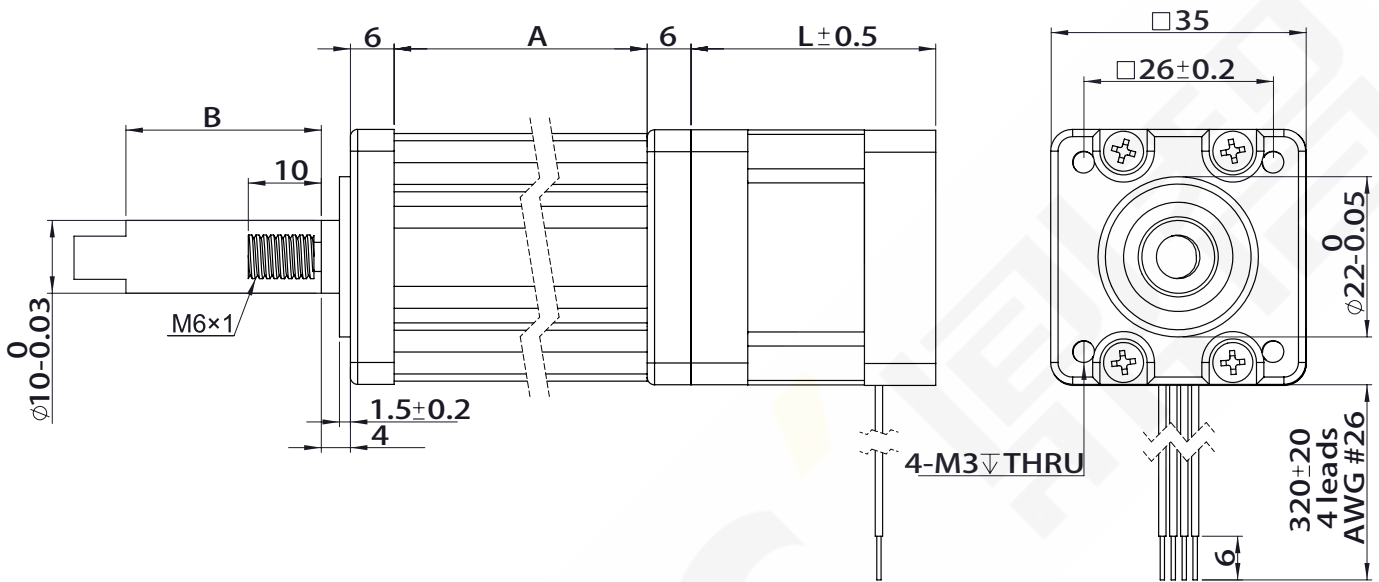
**Non-Captive Actuator**



**NOTE:** All drawings are First Angle Projection – ISO Standard. (3D Models are available).

## Size 14 (35mm) Series

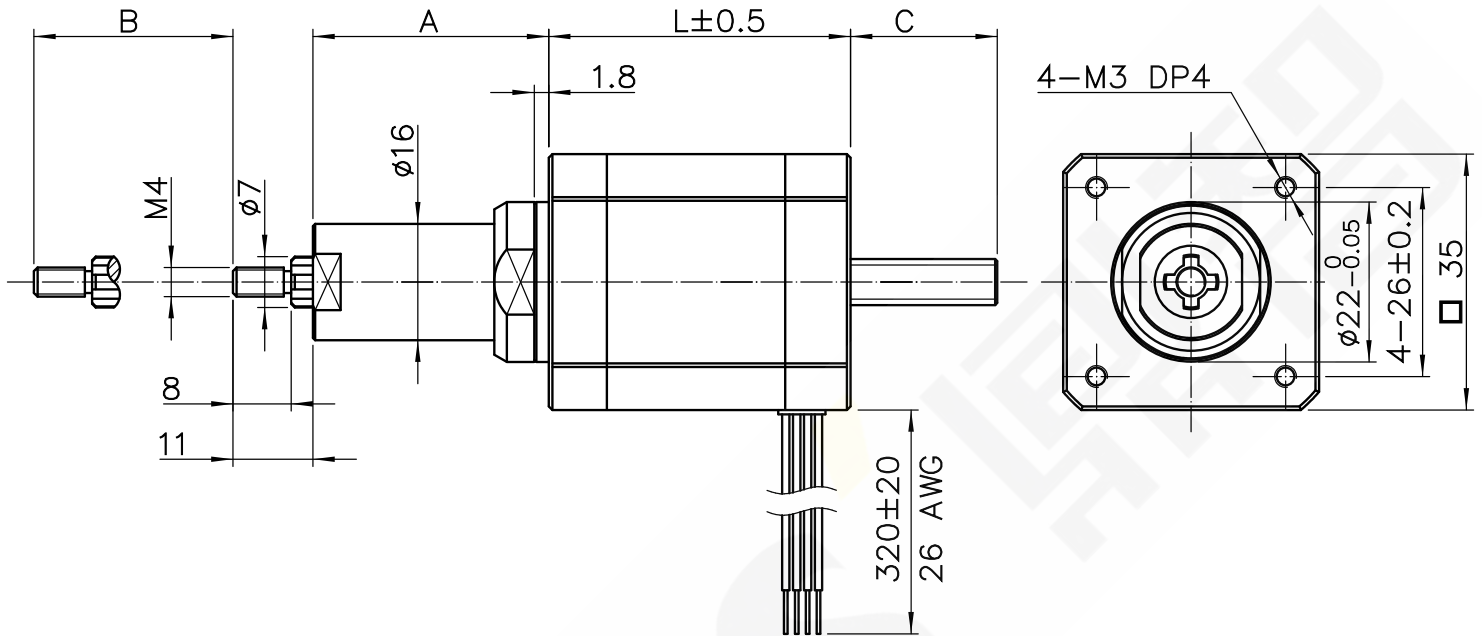
### Captive Actuator



#### ● Stroke Specification

Stroke B inch (mm)		A (mm)	L (mm)	
0.50	(12.70)	35.70	Single Stack Motor 33.6mm	Double Stack Motor 45.6mm
0.75	(19.05)	42.05		
1.00	(25.40)	48.40		
1.25	(31.80)	54.80		
1.50	(38.10)	61.10		
2.00	(50.80)	73.80		
2.50	(63.50)	86.50		

**Kaptive Actuator**



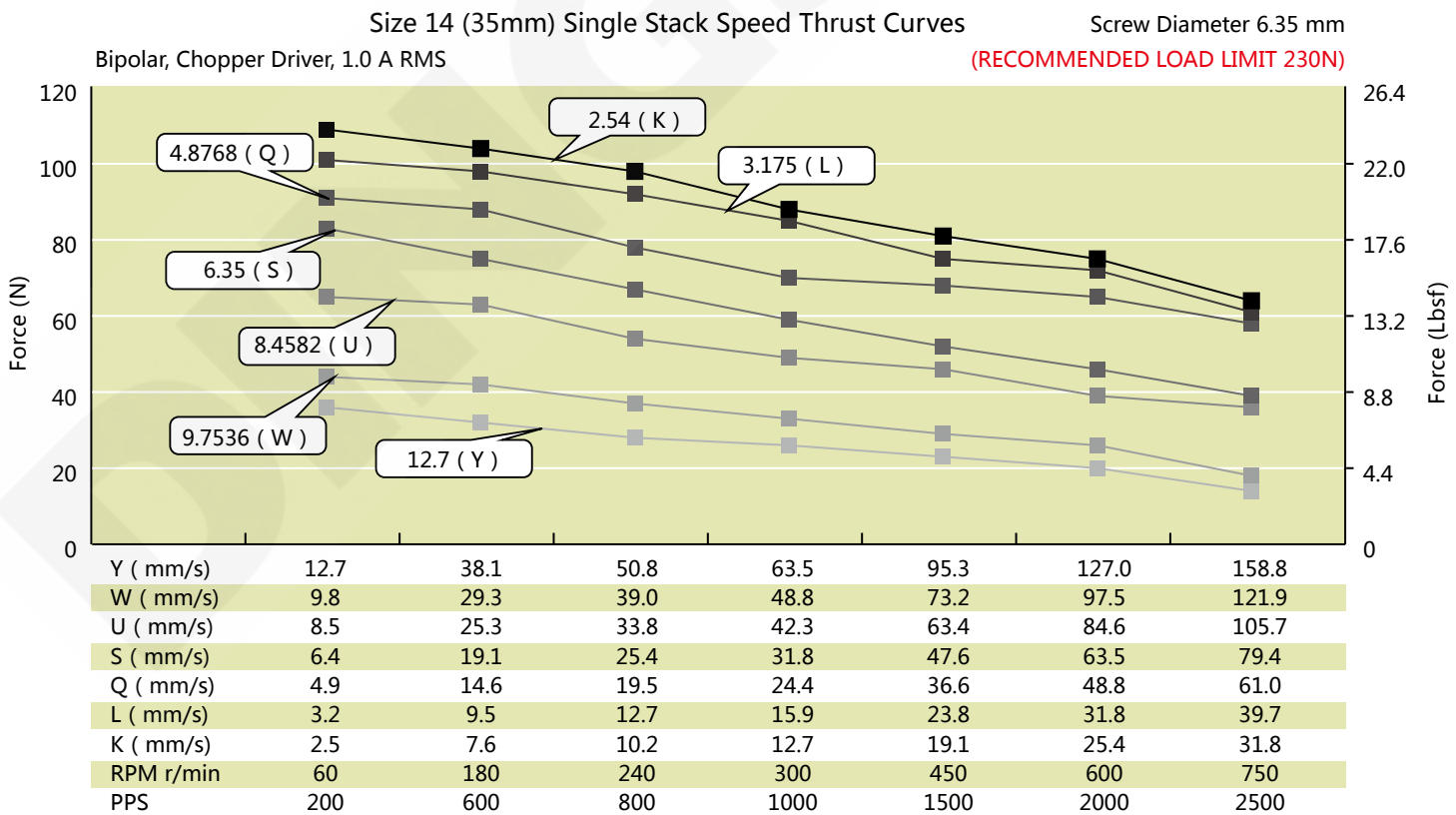
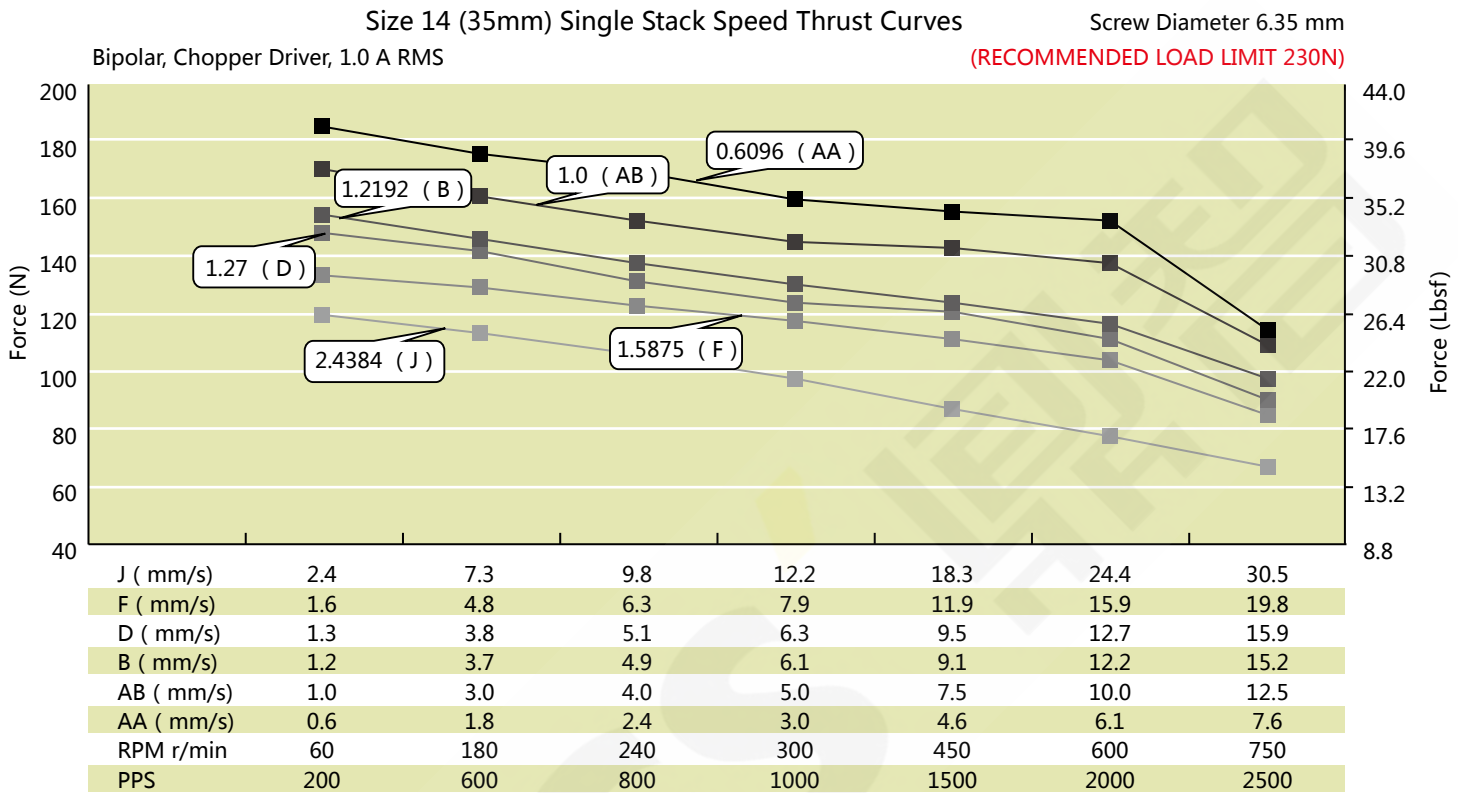
● **Stroke Specification**

Stroke B (mm)	A (mm)	C (mm)	
		L=33.6mm	L=45.6mm
12.70	19.50	5.20	0.00
19.05	25.85	11.55	5.55
25.40	32.20	17.90	11.90
31.75	38.55	24.25	18.25
38.10	44.90	30.60	24.60
50.80	57.60	43.30	37.30
63.50	70.30	56.00	50.00

**NOTE:** All drawings are First Angle Projection – ISO Standard. (3D Models are available).

## Size 14 (35mm) Series

### Size 14 (35mm) Performance Curves



**TEST CONDITION:**

Testing Voltage: 40VDC, Driver Model: DS-2422-001, at rated current (rms). Motor's thrust will be changed with different voltage and driver. 50% thrust margin is recommended.



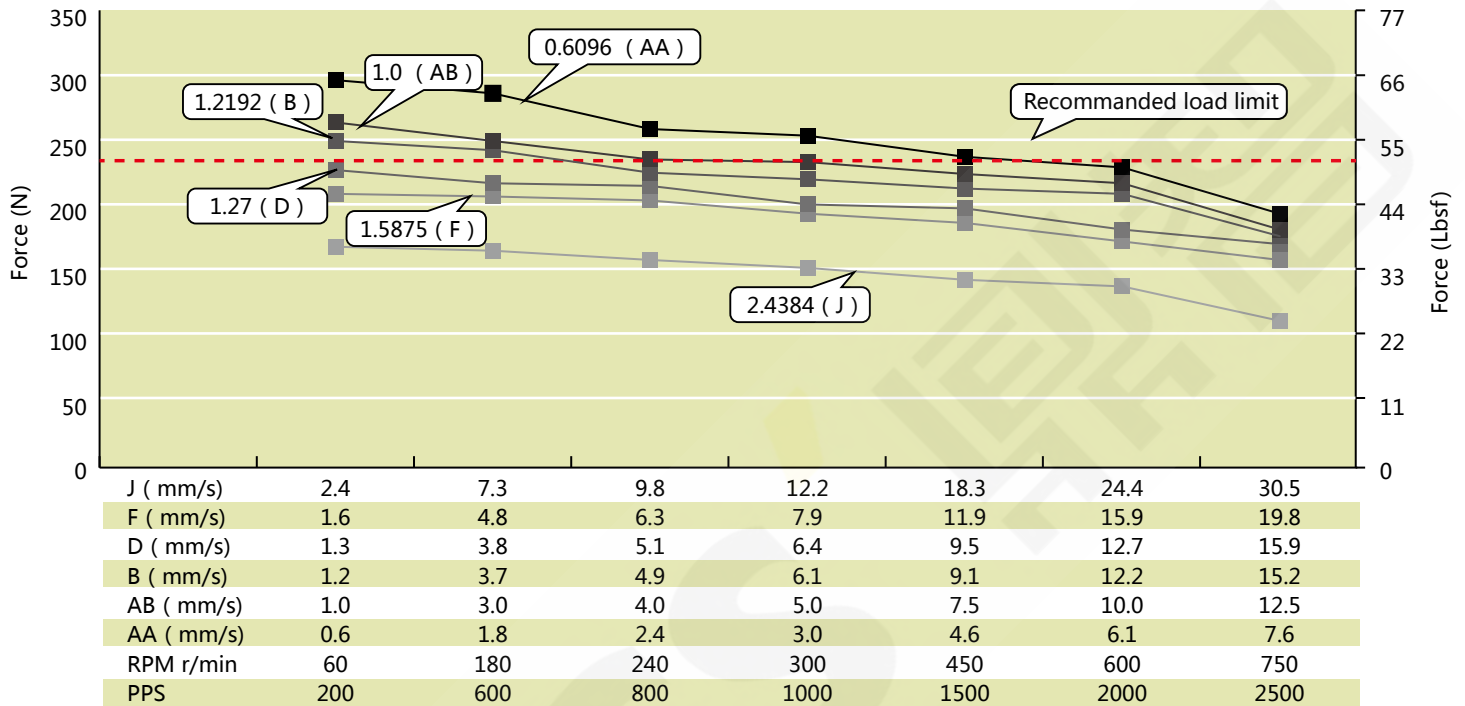
## Size 14 (35mm) Series

Size 14 (35mm) Double Stack Speed Thrust Curves

Screw Diameter 6.35 mm

Bipolar, Chopper Driver, 1.5 A RMS

(RECOMMENDED LOAD LIMIT 230N)

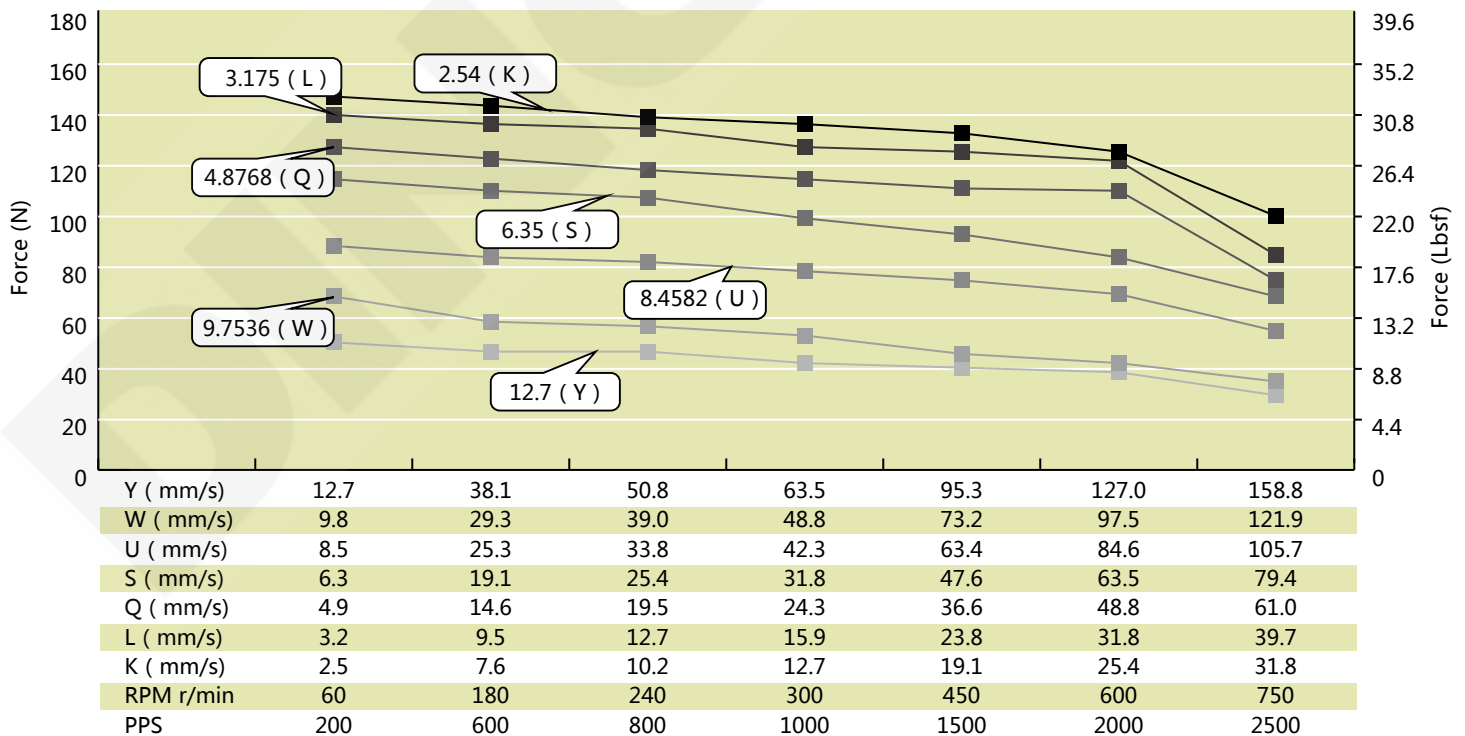


Size 14 (35mm) Double Stack Speed Thrust Curves

Screw Diameter 6.35 mm

Bipolar, Chopper Driver, 1.5 A RMS

(RECOMMENDED LOAD LIMIT 230N)



**TEST CONDITION:**

Testing Voltage: 40VDC, Driver Model: DS-2422-001, at rated current (rms). Motor's thrust will be changed with different voltage and driver. 50% thrust margin is recommended.